

You Can't Take It With You



Kobi Cummings

# **The Savannah College of Art and Design**

## **You Can't Take It With You Set**

**November 15th, 2017.**

### **Table of Contents:**

**pg.3 Ground Plan**

**pg.4 Section View**

**pg.5 Floor**

**pg.6 Wall A**

**pg.7 Wall B and Wall C**

**pg.8 Wall D and Wall E**

**pg.9 Wall F and Wall G**

**pg.10 Wall H and Wall I**

**pg.11 Wall J and Wall K**

**pg.12 Wall L**

**pg.13 Front Door Detail Plate**

**pg.14 Wall A Paint Elevation**

**pg.15 Walls B, C, and D Paint Elevation**

**pg.16 Walls F, G, and H Paint Elevation**

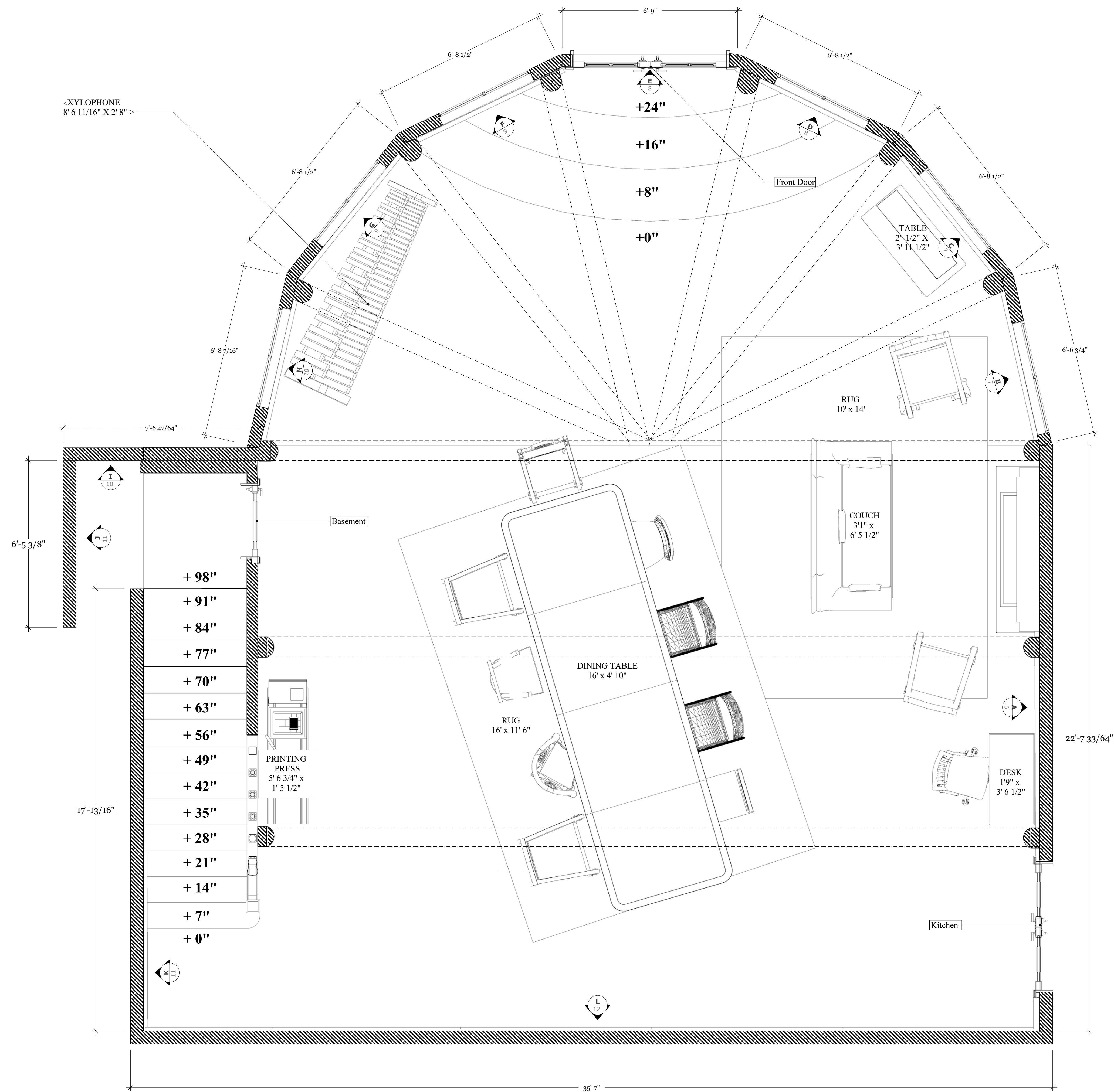
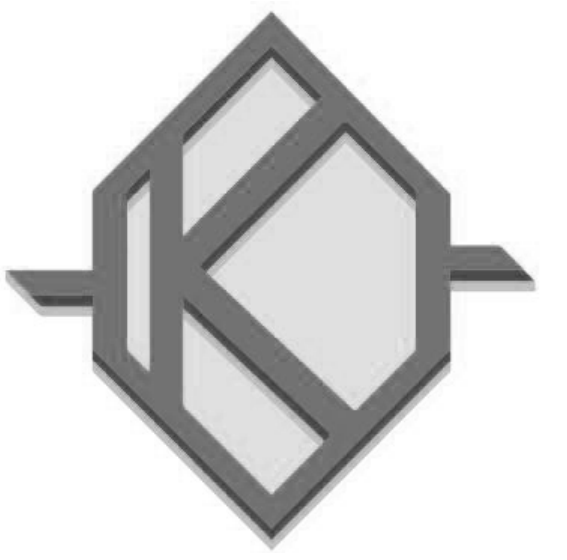
**pg.17 Walls I and J Paint Elevation**

**pg.18 Wall K Paint Elevation**

**pg.19 Wall L Paint Elevation**

**pg.20 Walls E and M Paint Elevation**

**pg.21 Running Elevation**



**CLIENT**  
Savannah College of Art  
And Design  
  
217 Martin Luther King Jr.  
Blvd.

**PROJECT**  
You Can't Take It With  
You Set

**DIRECTOR**  
Tyler Tunney

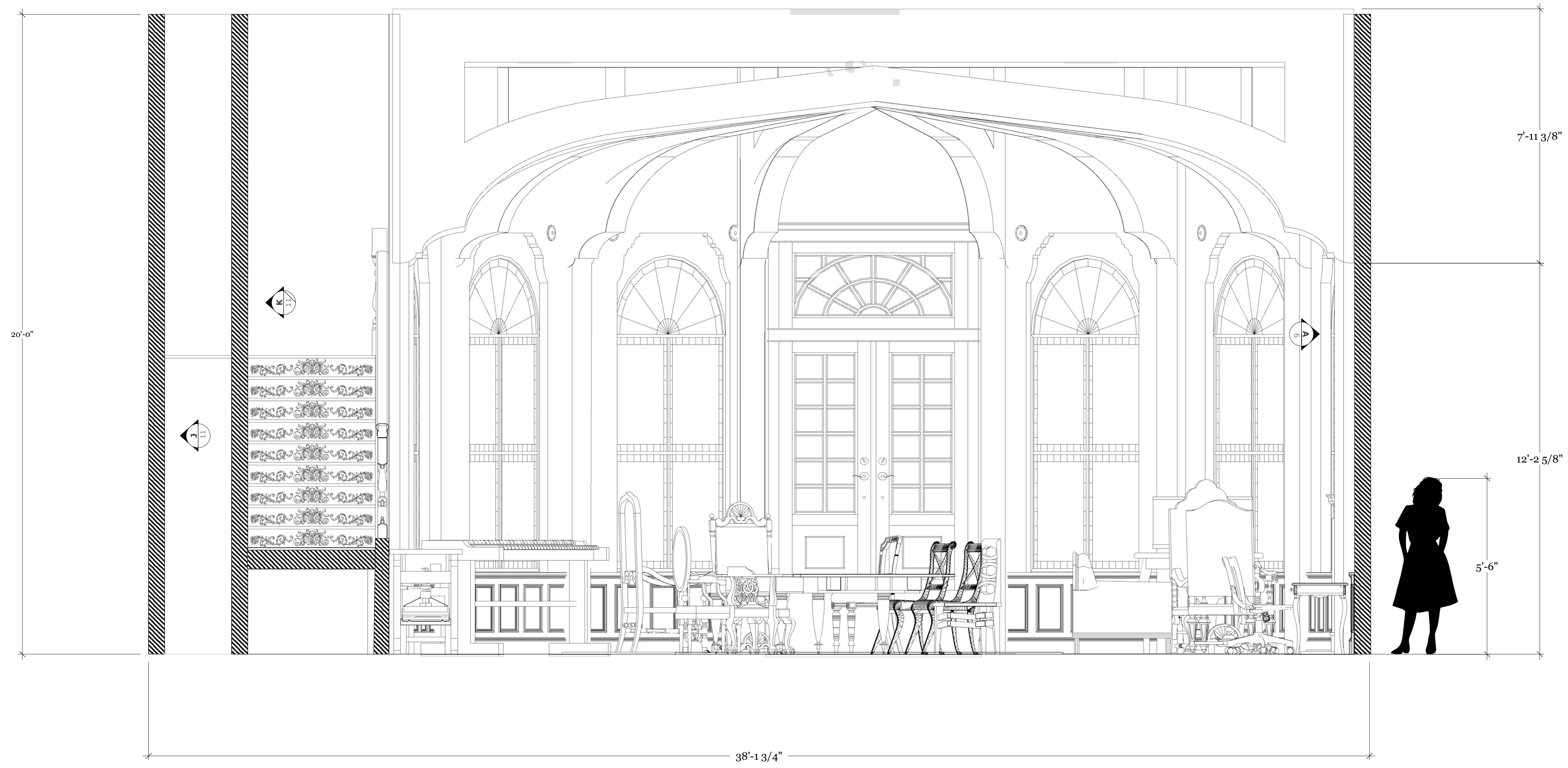
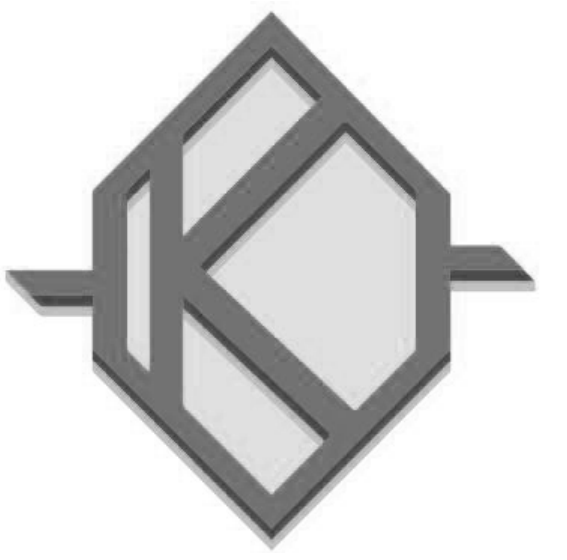
**DESIGNER**  
Kobi Cummings

**DRAWN BY**  
Kobi Cummings

**ISSUE**  
11/15/2017

**SCALE**  
1/2" = 1' - 0"  
Unless Noted

**A0.01**



**CLIENT**  
Savannah College of Art  
And Design  
  
217 Martin Luther King Jr.  
Blvd.

**PROJECT**  
You Can't Take It With  
You Set

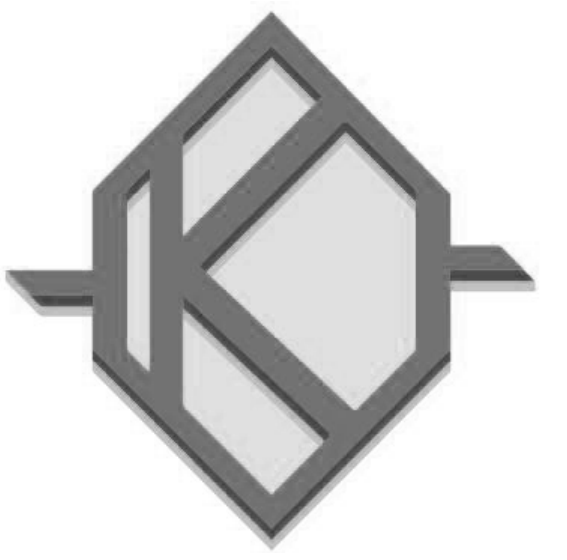
**DIRECTOR**  
Tyler Tunney

**DESIGNER**  
Kobi Cummings

**DRAWN BY**  
Kobi Cummings

**ISSUE**  
11/15/2017

**SCALE**  
1/2" = 1' - 0"  
Unless Noted



**CLIENT**  
Savannah College of Art  
And Design

217 Martin Luther King Jr.  
Blvd.

**PROJECT**  
You Can't Take It With  
You Set

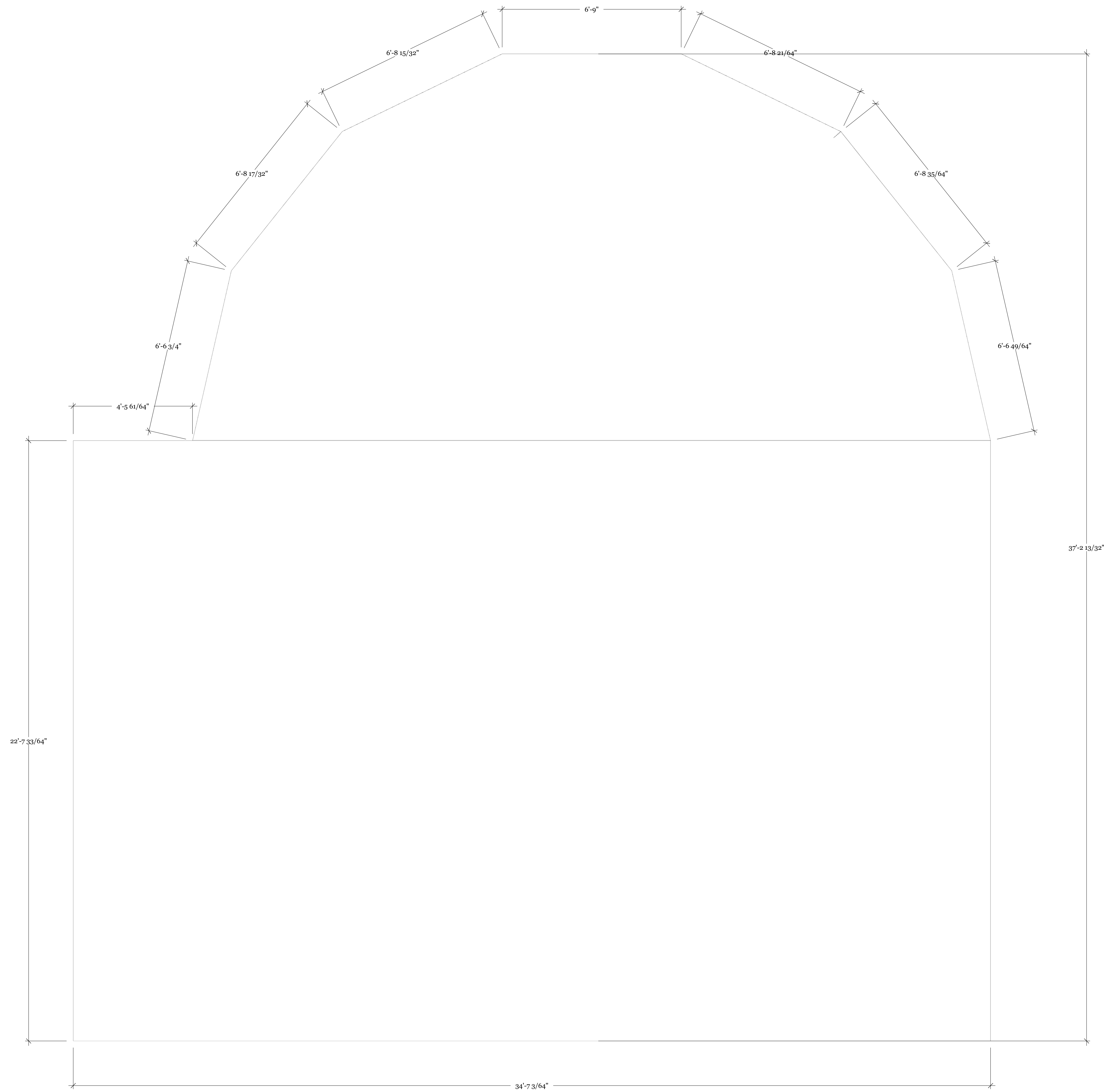
**DIRECTOR**  
Tyler Tunney

**DESIGNER**  
Kobi Cummings

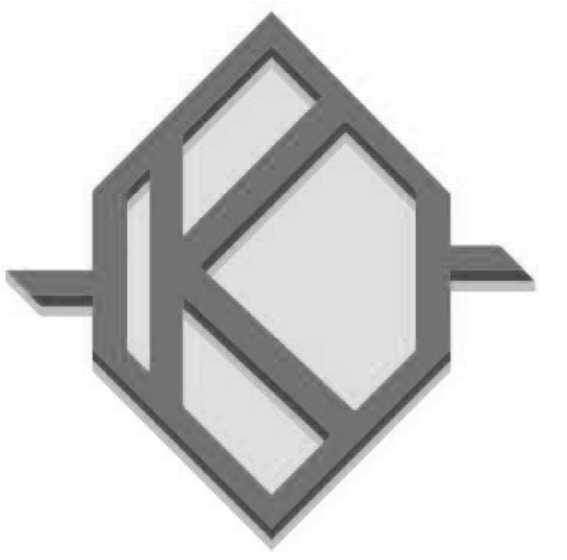
**DRAWN BY**  
Kobi Cummings

**ISSUE**  
11/15/2017

**SCALE**  
1/2" = 1' - 0"  
Unless Noted



**A0.03**



**CLIENT**  
Savannah College of Art  
And Design  
  
217 Martin Luther King Jr.  
Blvd.

**PROJECT**  
You Can't Take It With  
You Set

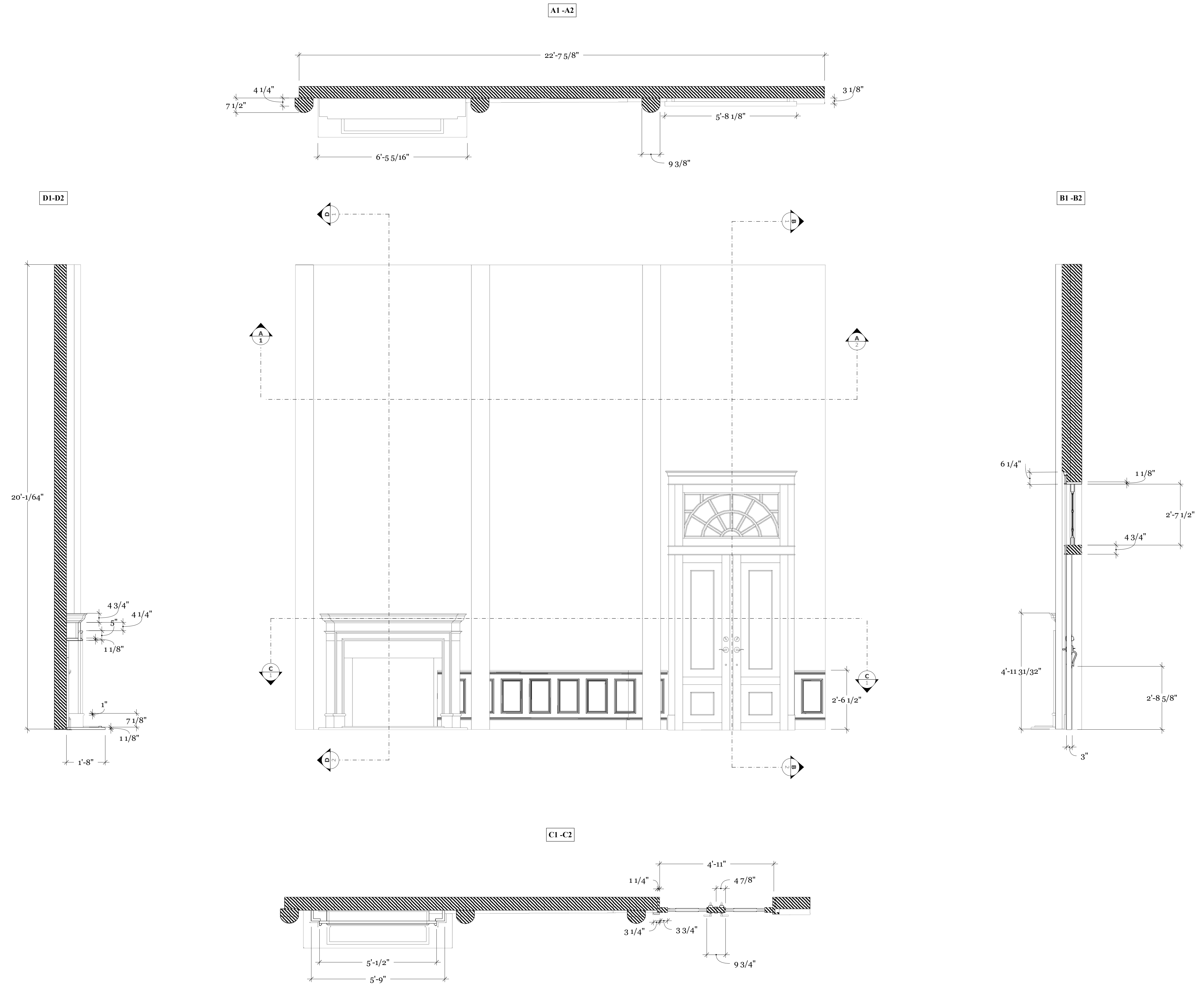
**DIRECTOR**  
Tyler Tunney

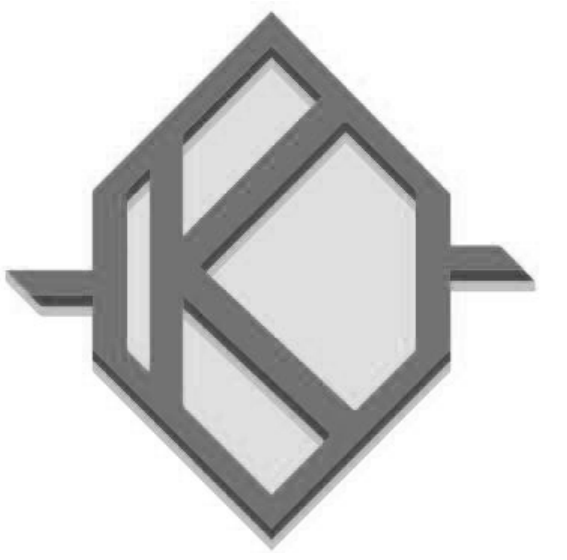
**DESIGNER**  
Kobi Cummings

**DRAWN BY**  
Kobi Cummings

**ISSUE**  
11/15/2017

**SCALE**  
1/2" = 1' - 0"  
Unless Noted





**CLIENT**  
Savannah College of Art  
And Design  
  
217 Martin Luther King Jr.  
Blvd.

**PROJECT**  
You Can't Take It With  
You Set

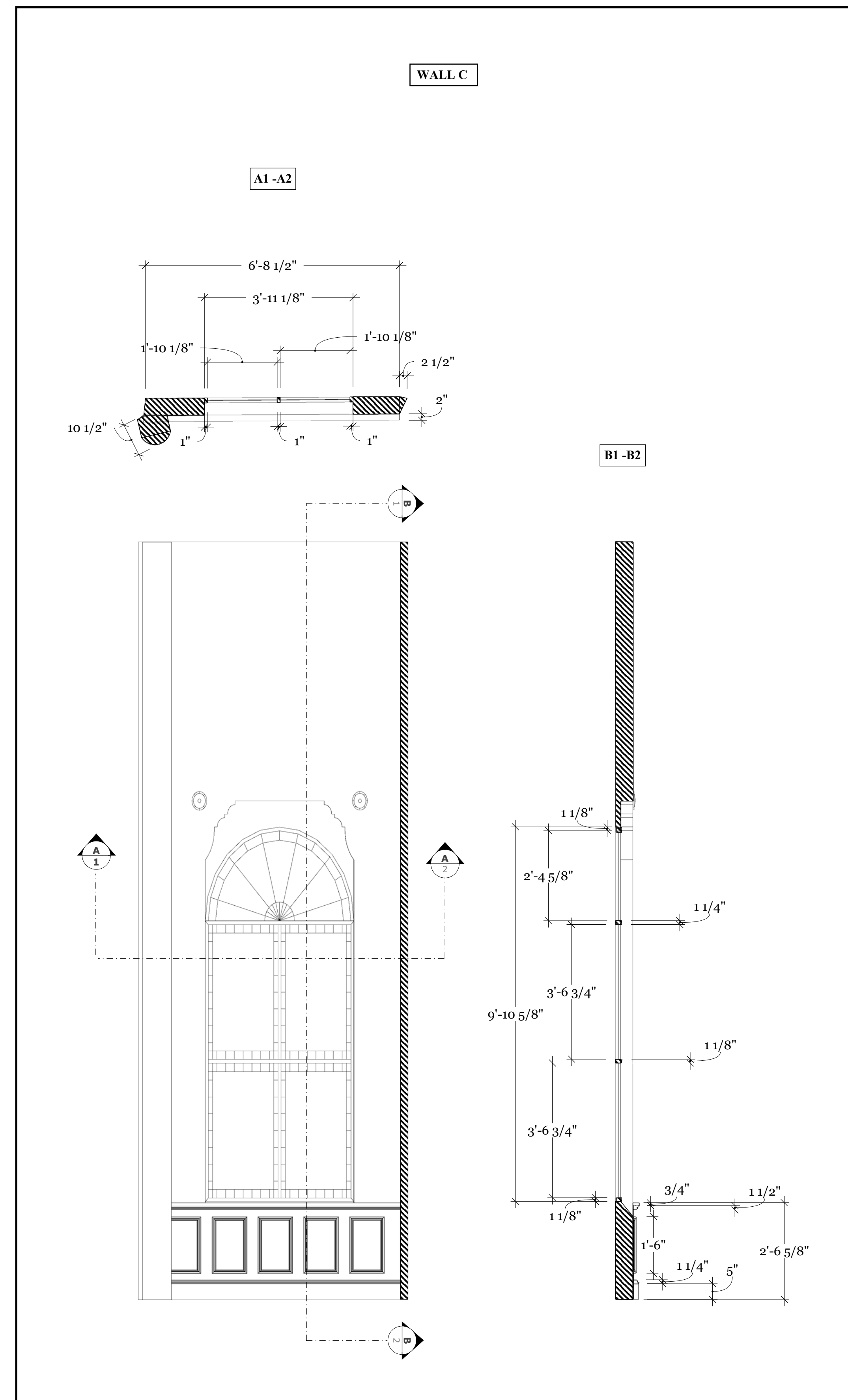
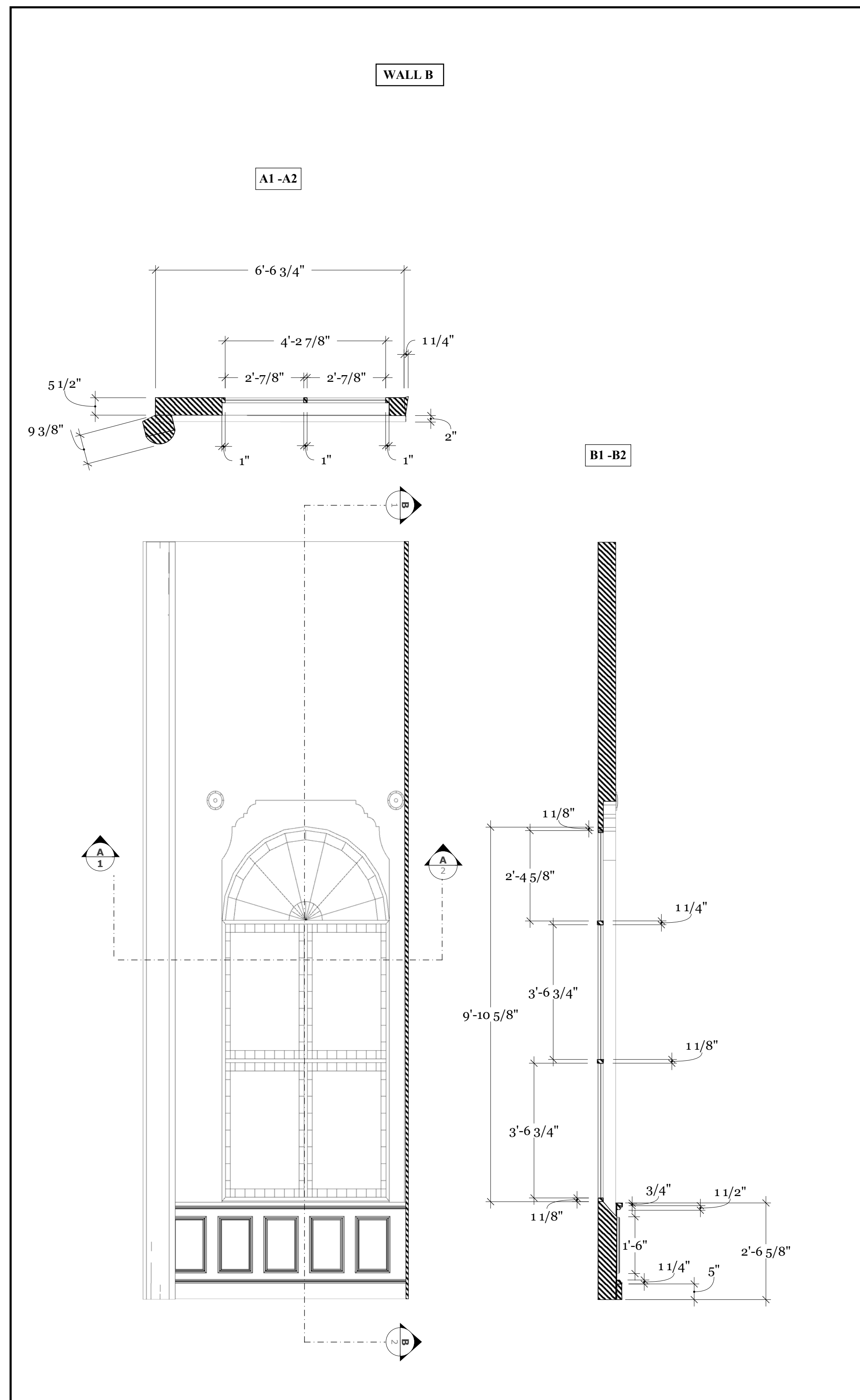
**DIRECTOR**  
Tyler Tunney

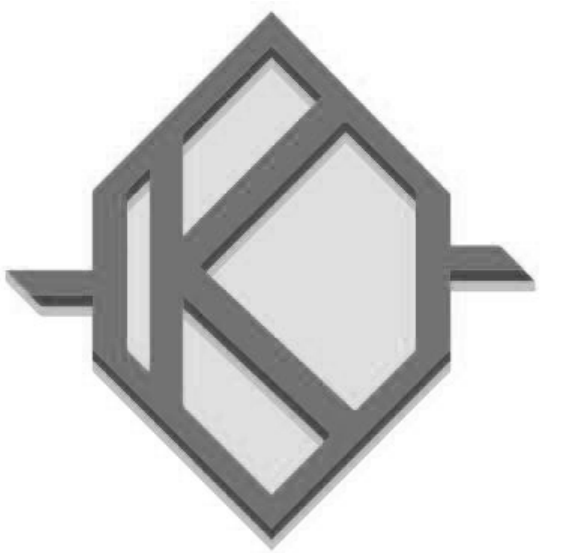
**DESIGNER**  
Kobi Cummings

**DRAWN BY**  
Kobi Cummings

**ISSUE**  
11/15/2017

**SCALE**  
1/2" = 1' - 0"  
Unless Noted





**CLIENT**  
Savannah College of Art  
And Design  
  
217 Martin Luther King Jr.  
Blvd.

**PROJECT**  
You Can't Take It With  
You Set

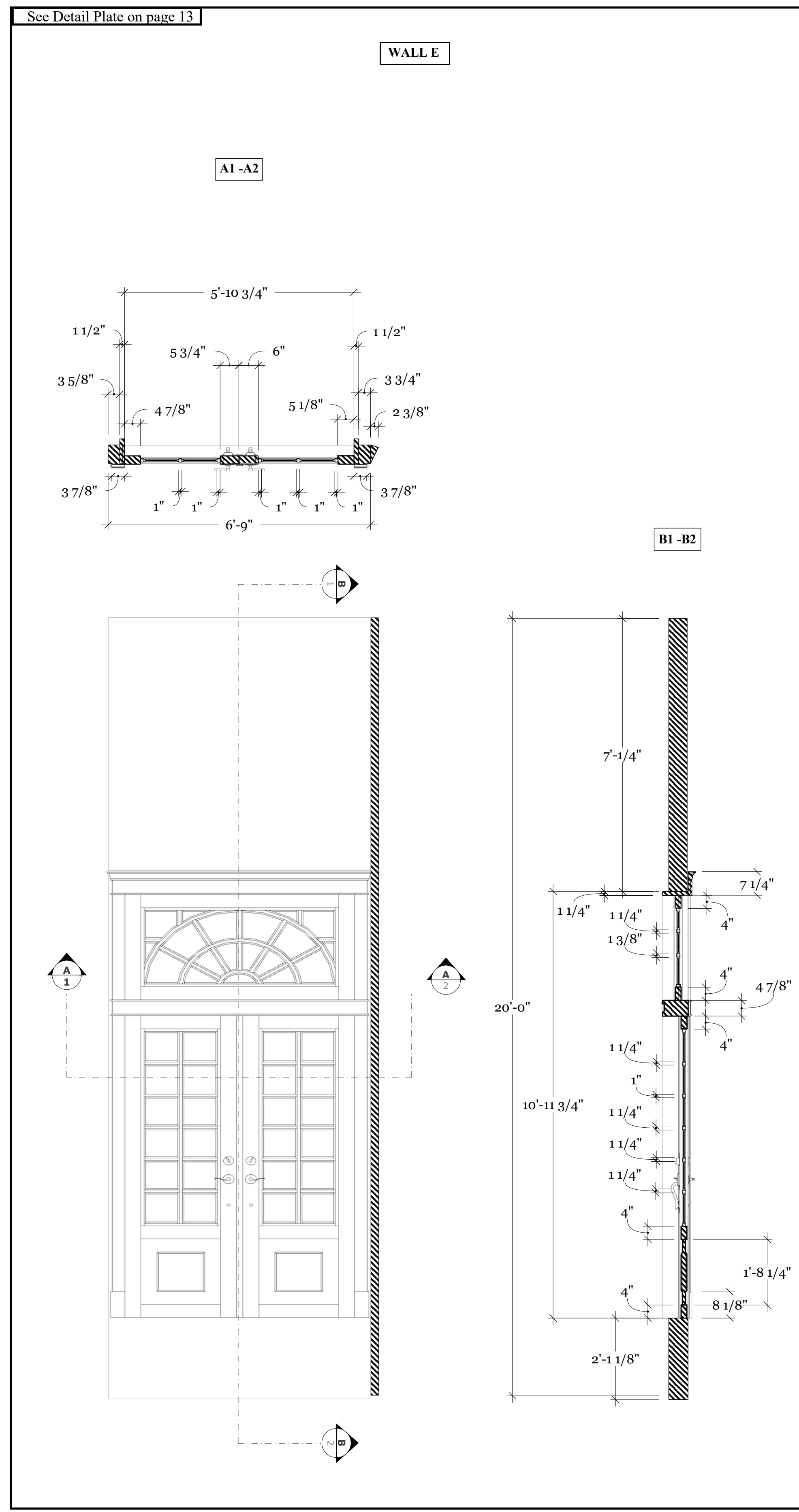
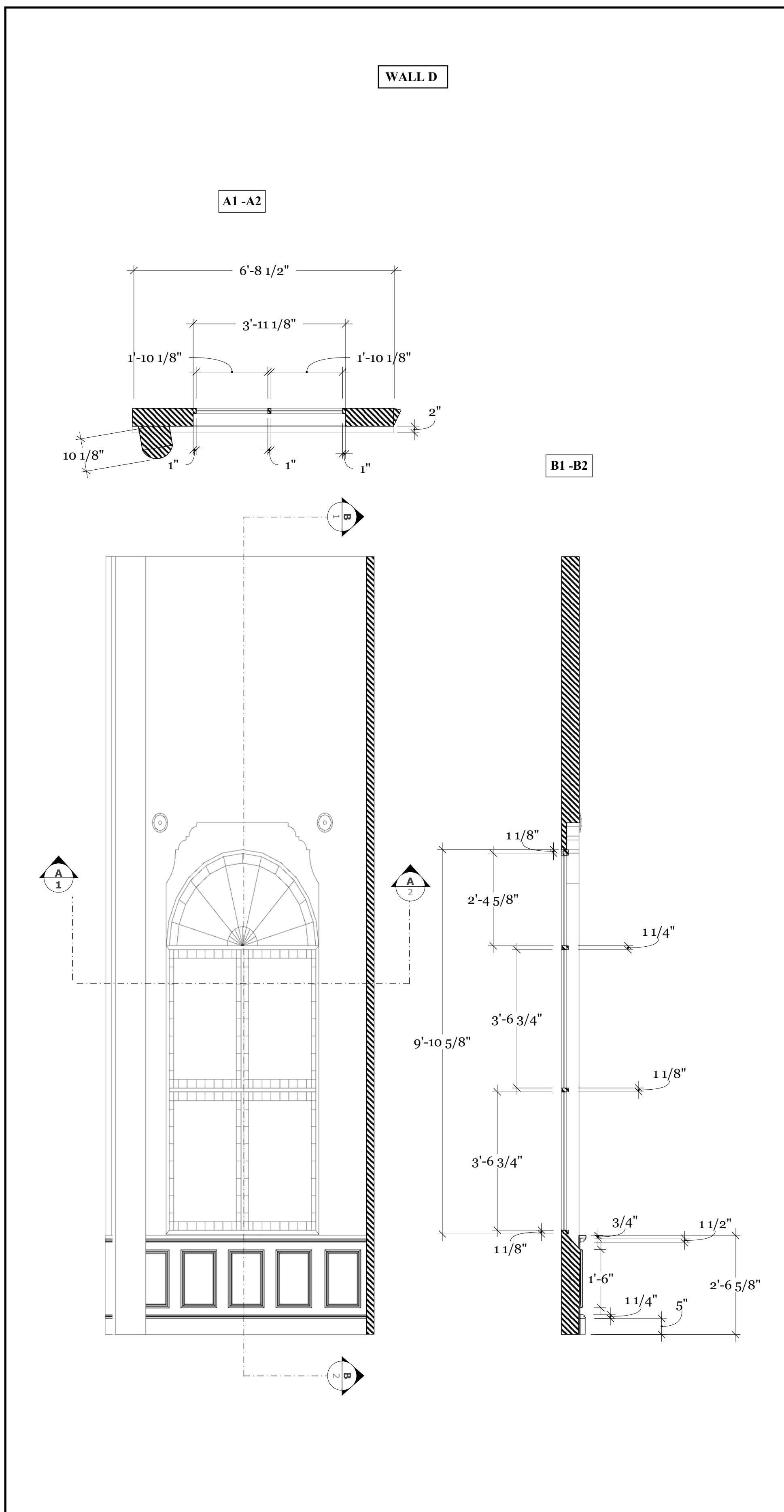
**DIRECTOR**  
Tyler Tunney

**DESIGNER**  
Kobi Cummings

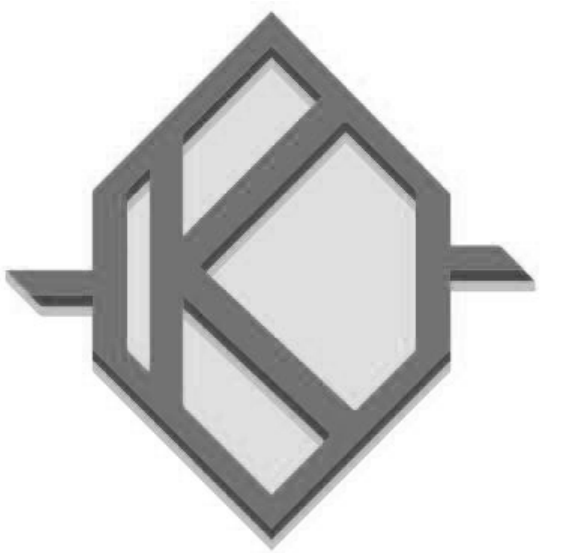
**DRAWN BY**  
Kobi Cummings

**ISSUE**  
11/15/2017

**SCALE**  
1/2" = 1' - 0"  
Unless Noted







**CLIENT**  
Savannah College of Art  
And Design

217 Martin Luther King Jr.  
Blvd.

**PROJECT**  
You Can't Take It With  
You Set

**DIRECTOR**  
Tyler Tunney

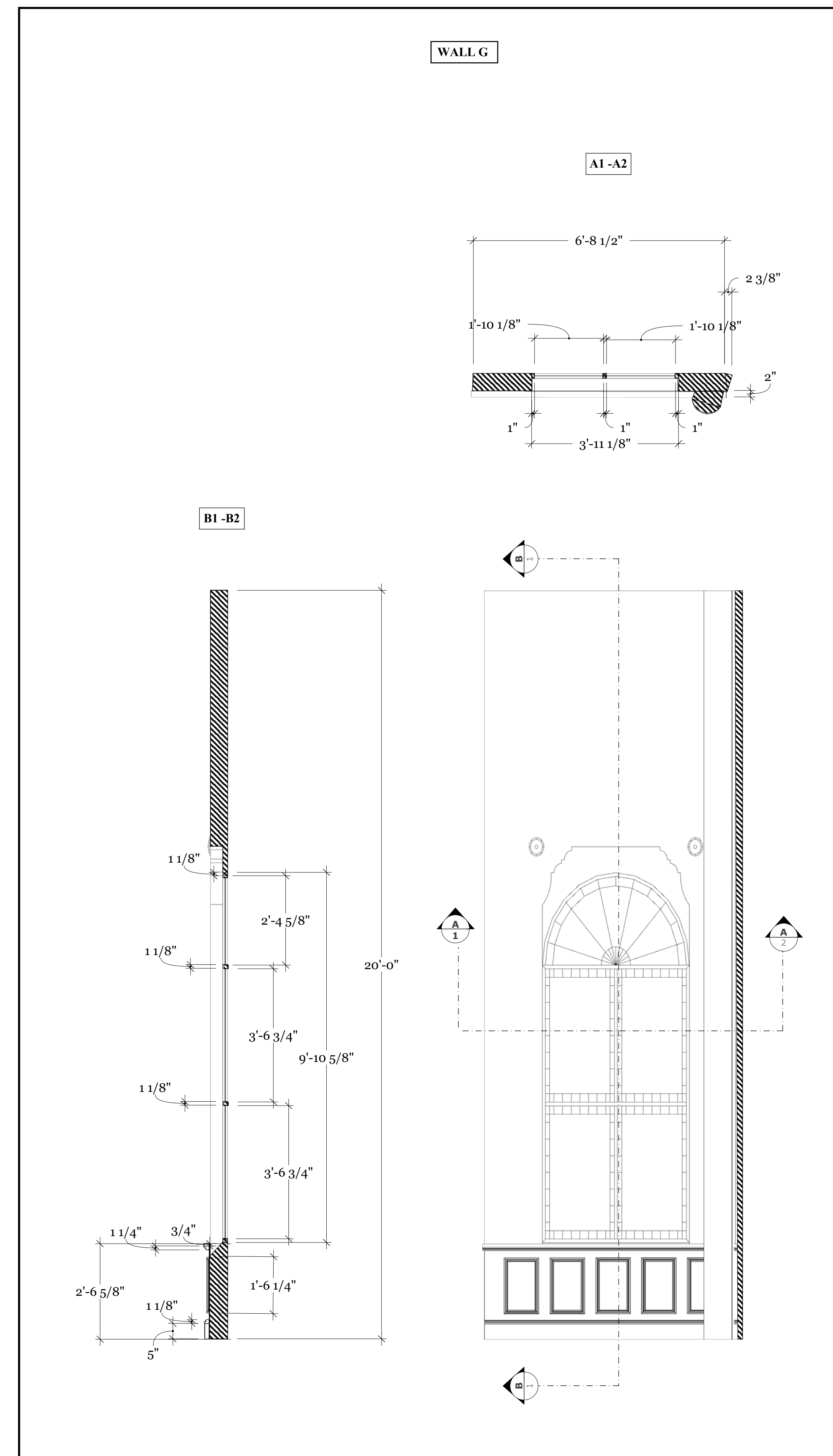
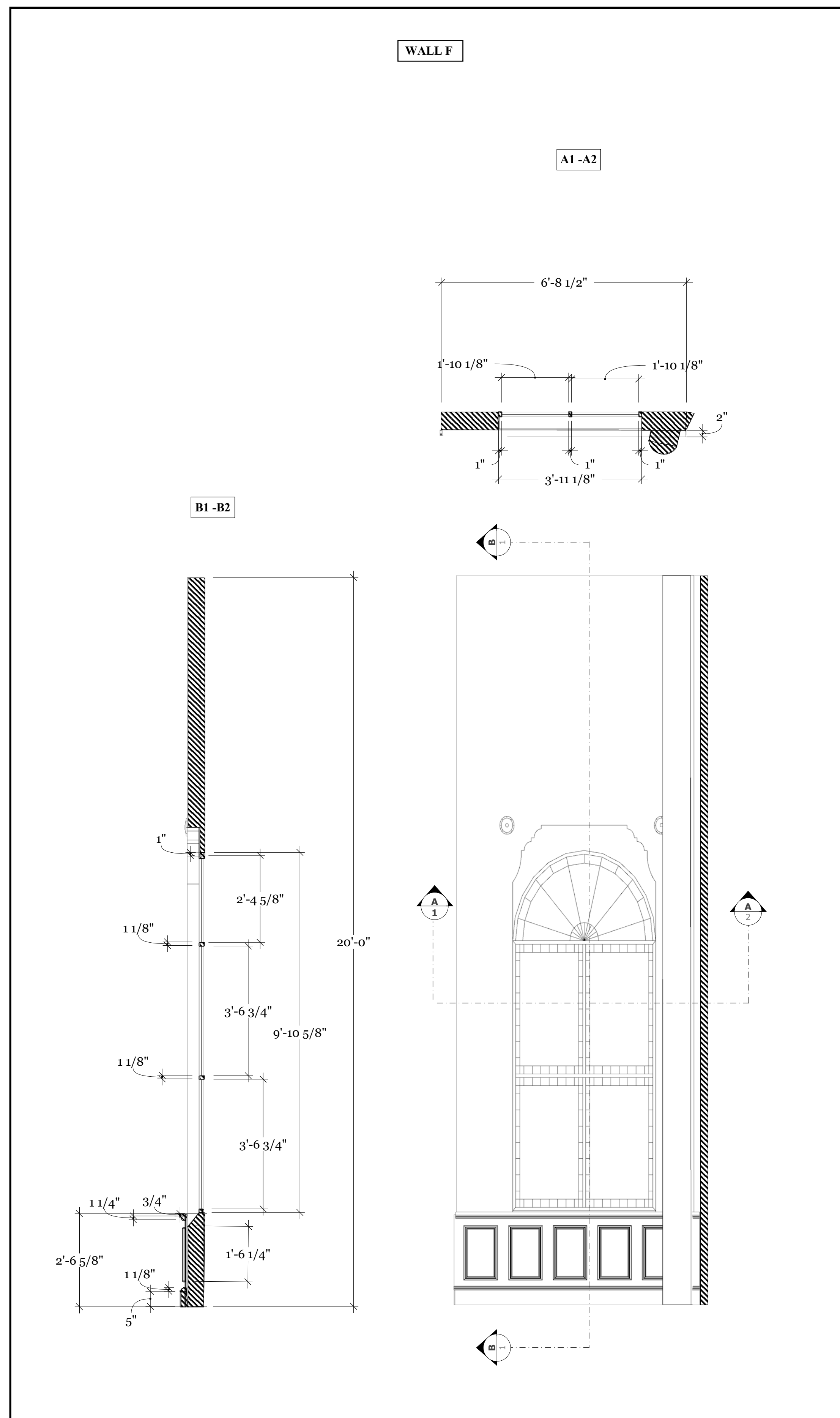
**DESIGNER**  
Kobi Cummings

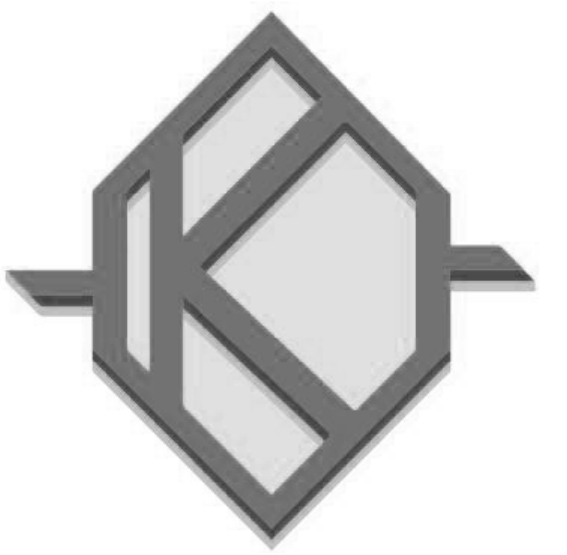
**DRAWN BY**  
Kobi Cummings

**ISSUE**  
11/15/2017

**SCALE**  
1/2" = 1' - 0"  
Unless Noted

**A0.07**





**CLIENT**  
Savannah College of Art  
And Design  
  
217 Martin Luther King Jr.  
Blvd.

**PROJECT**  
You Can't Take It With  
You Set

**DIRECTOR**  
Tyler Tunney

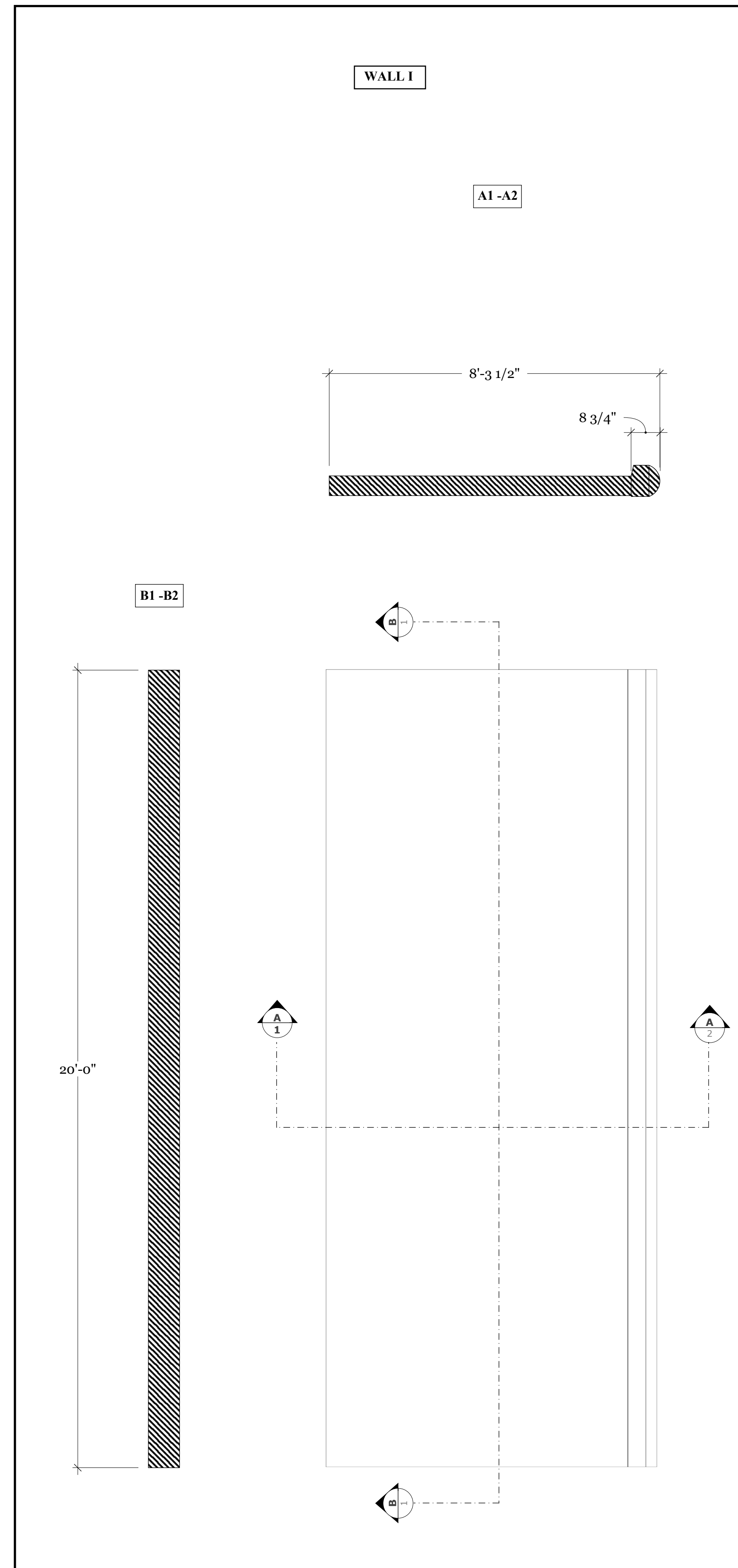
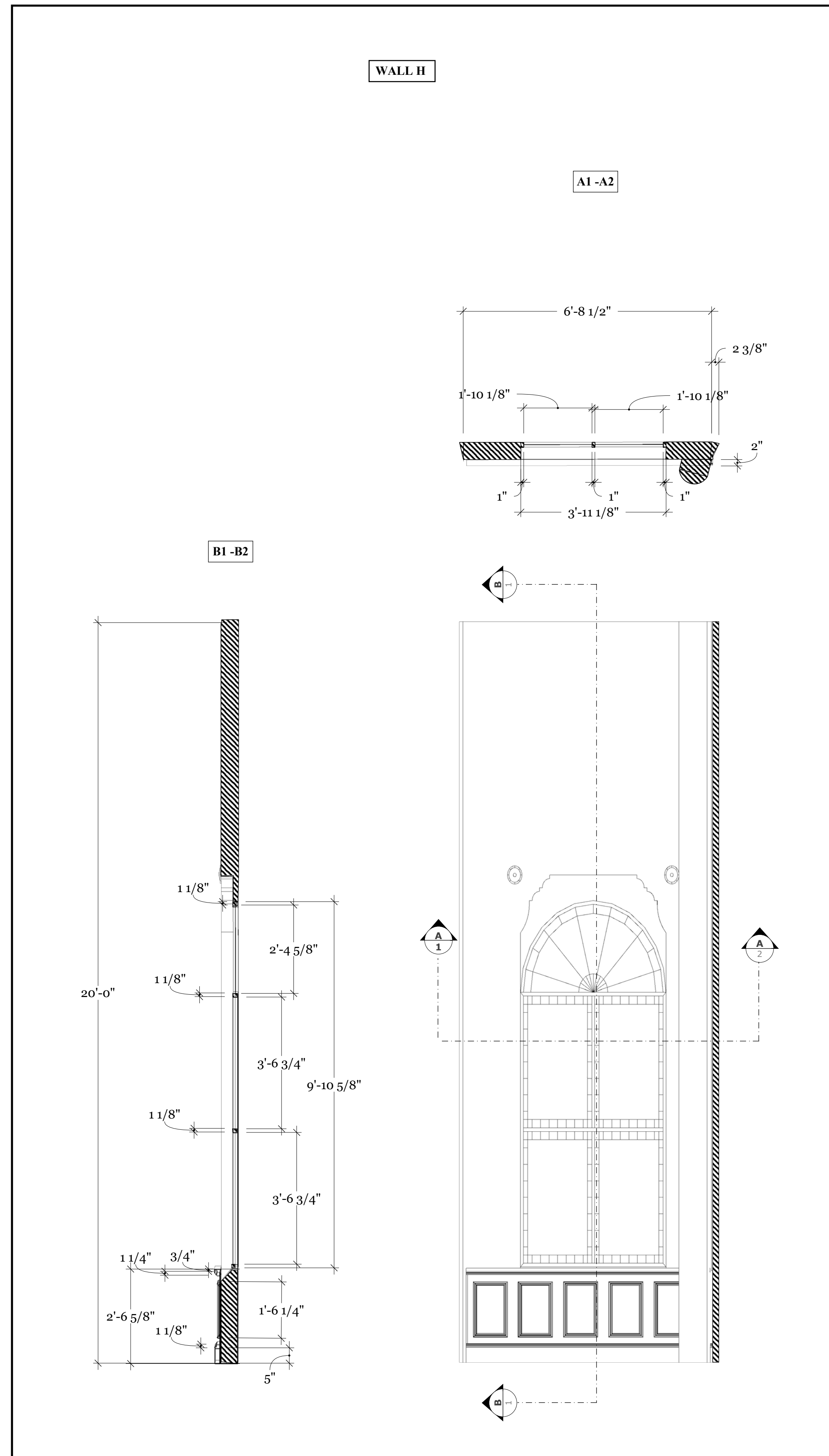
**DESIGNER**  
Kobi Cummings

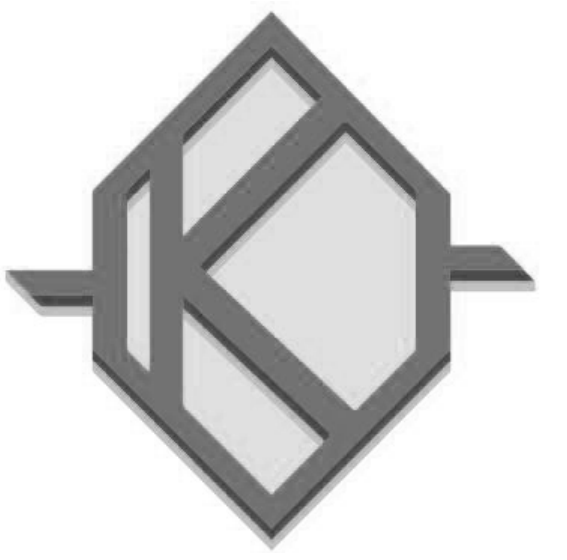
**DRAWN BY**  
Kobi Cummings

**ISSUE**  
11/15/2017

**SCALE**  
1/2" = 1' - 0"  
Unless Noted

**A.o.o**





**CLIENT**  
Savannah College of Art  
And Design  
  
217 Martin Luther King Jr.  
Blvd.

**PROJECT**  
You Can't Take It With  
You Set

**DIRECTOR**  
Tyler Tunney

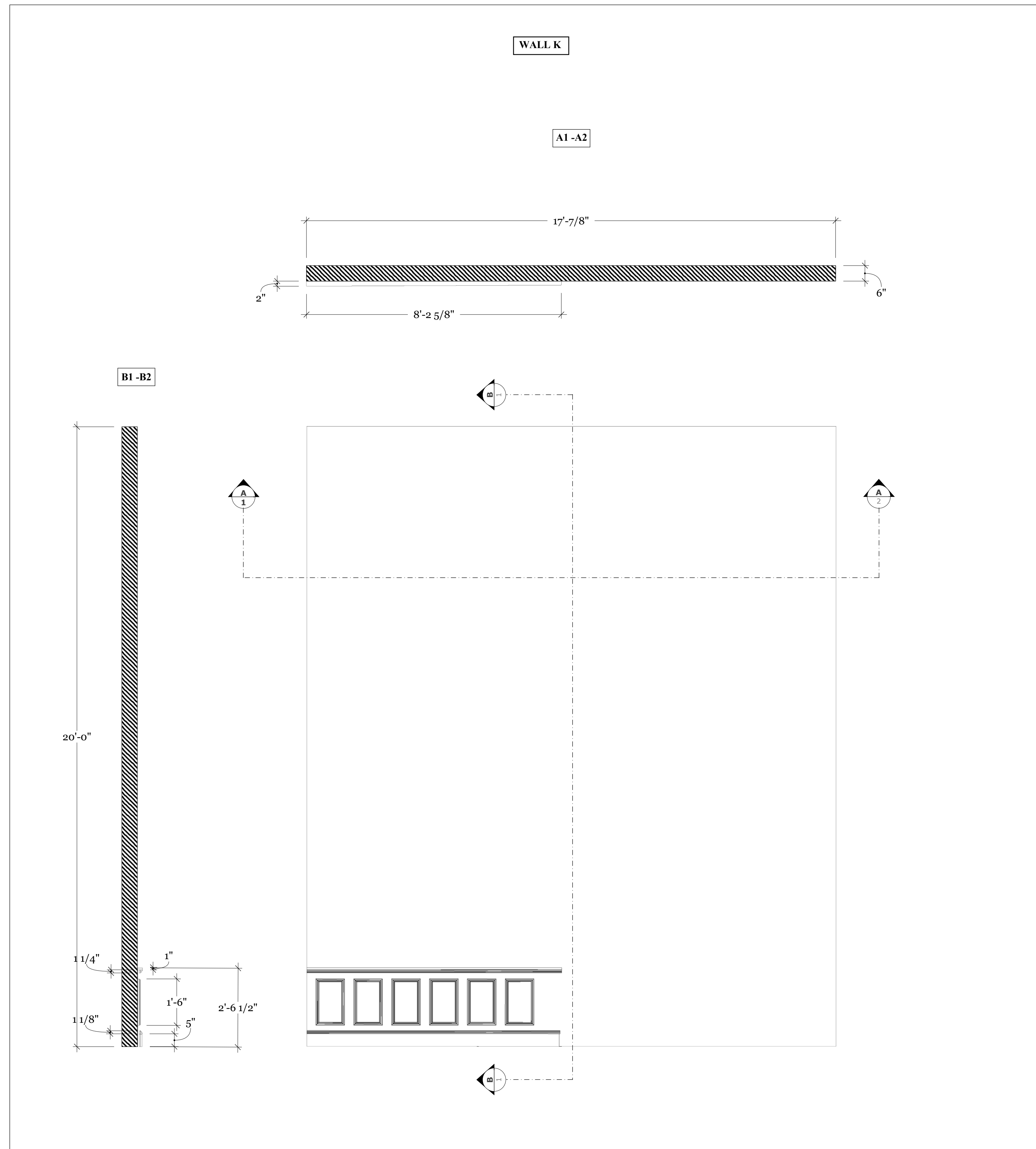
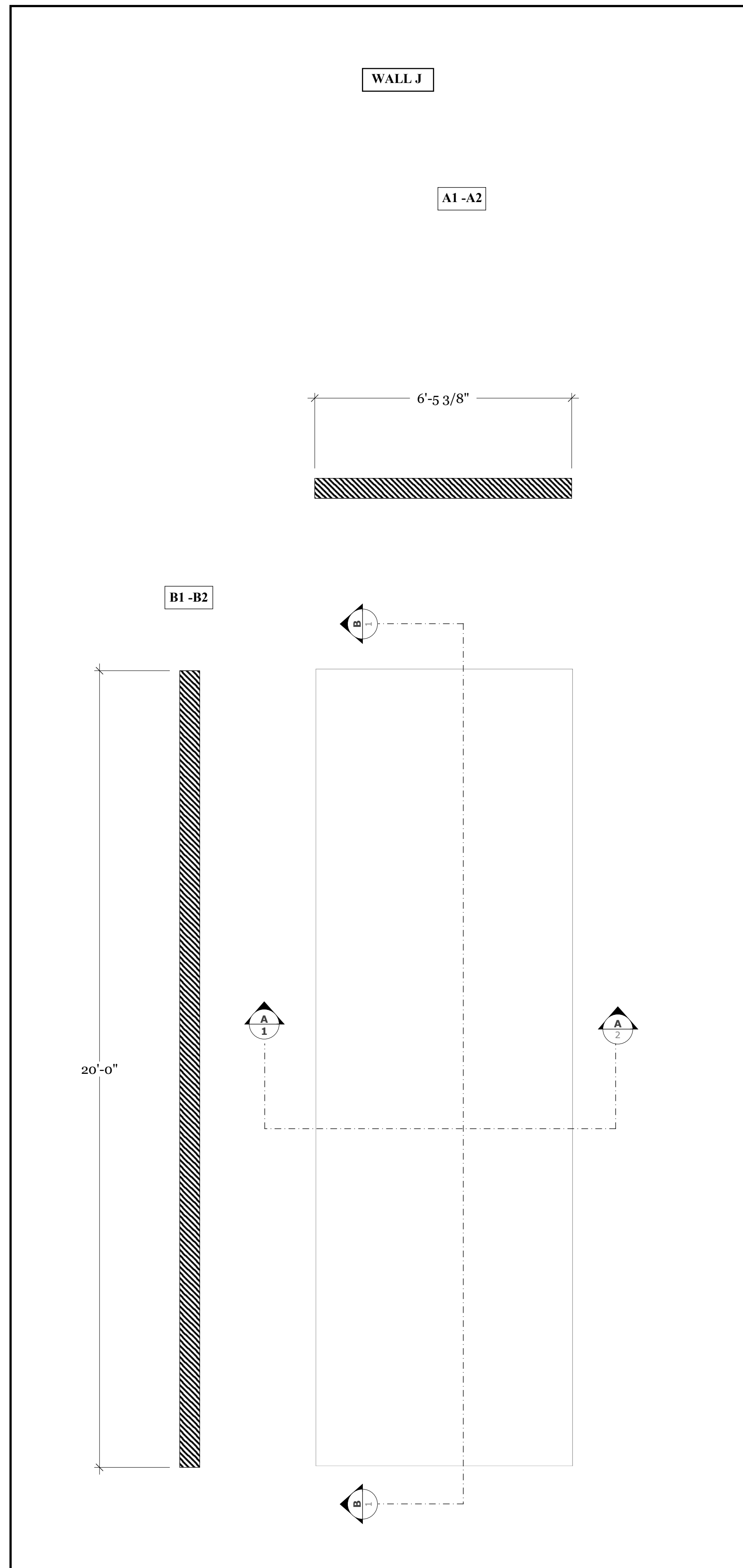
**DESIGNER**  
Kobi Cummings

**DRAWN BY**  
Kobi Cummings

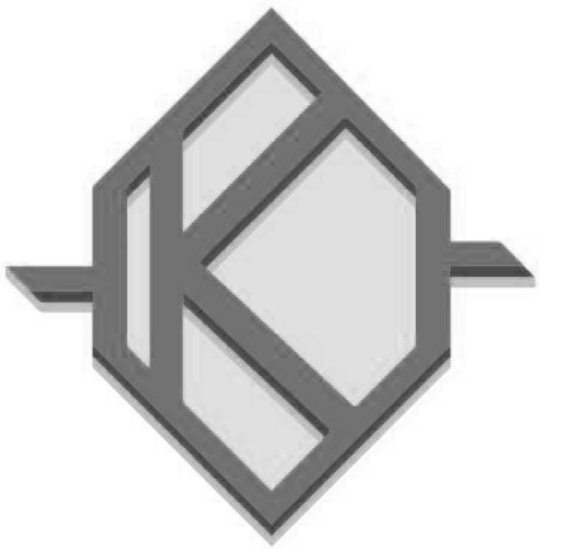
**ISSUE**  
11/15/2017

**SCALE**  
1/2" = 1' - 0"  
Unless Noted

**A0.09**



Note: Wall L is Wild



**CLIENT**  
Savannah College of Art  
And Design  
  
217 Martin Luther King Jr.  
Blvd.

**PROJECT**  
You Can't Take It With  
You Set

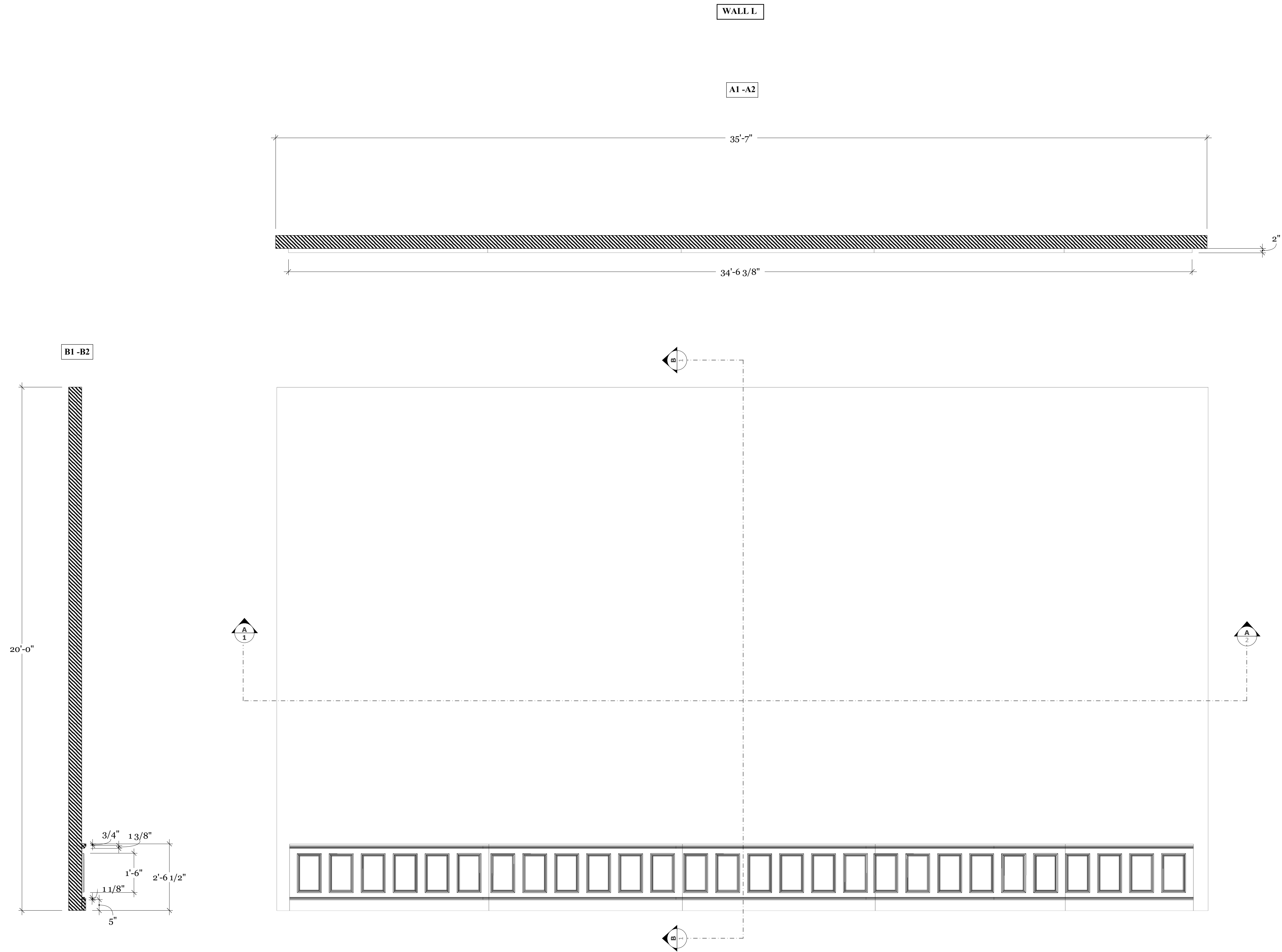
**DIRECTOR**  
Tyler Tunney

**DESIGNER**  
Kobi Cummings

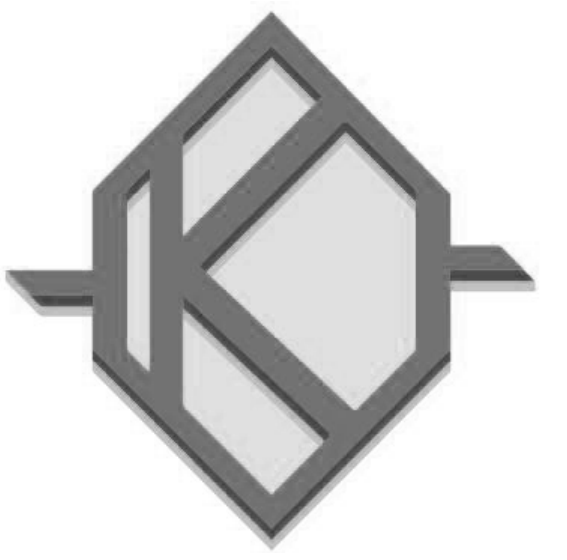
**DRAWN BY**  
Kobi Cummings

**ISSUE**  
11/15/2017

**SCALE**  
1/2" = 1' - 0"  
Unless Noted



**A0.10**



**CLIENT** B1-B2  
 Savannah College of Art  
 And Design  
 217 Martin Luther King Jr.  
 Blvd.

**PROJECT**  
 You Can't Take It With  
 You Set

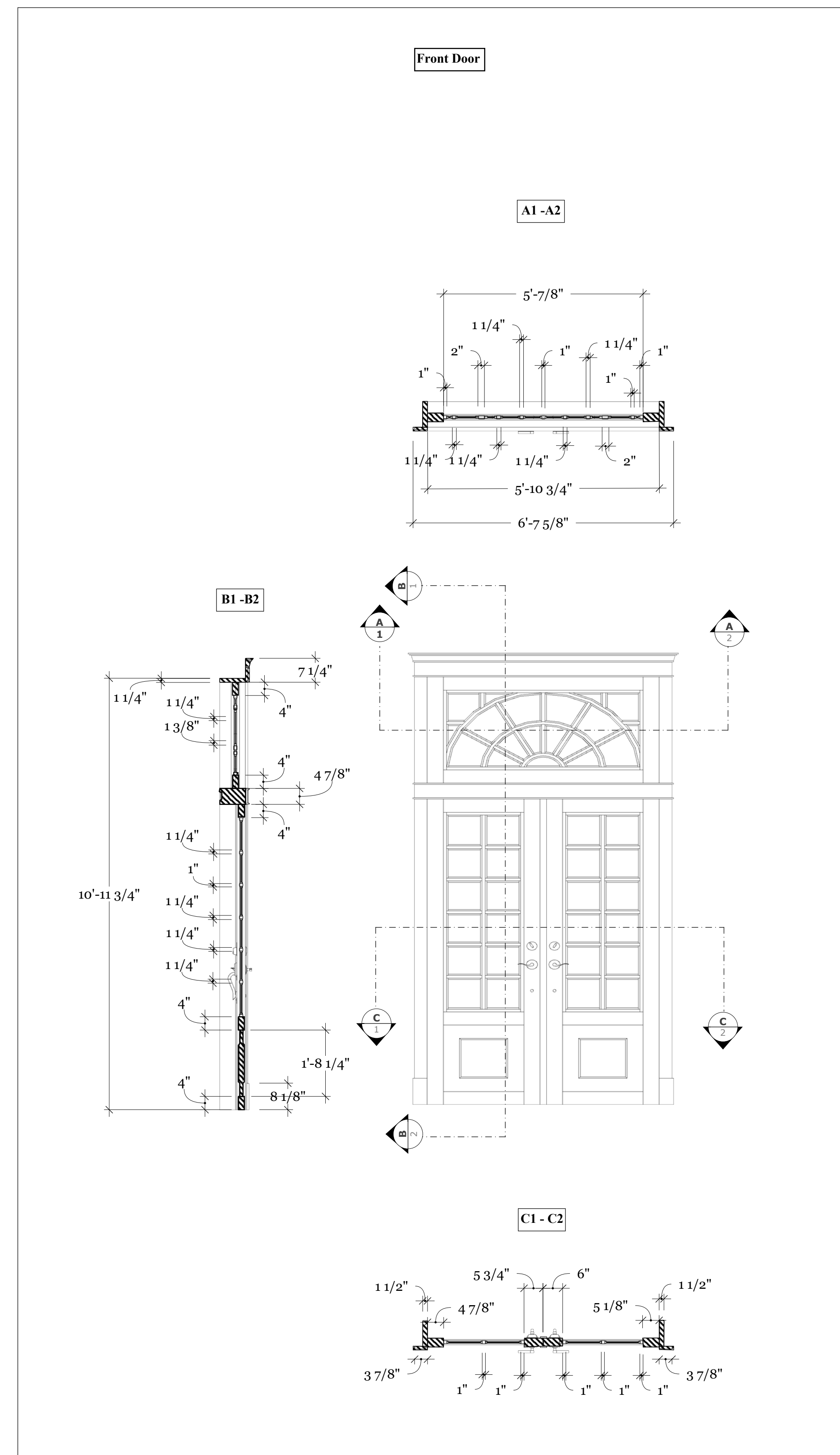
**DIRECTOR**  
 Tyler Tunney

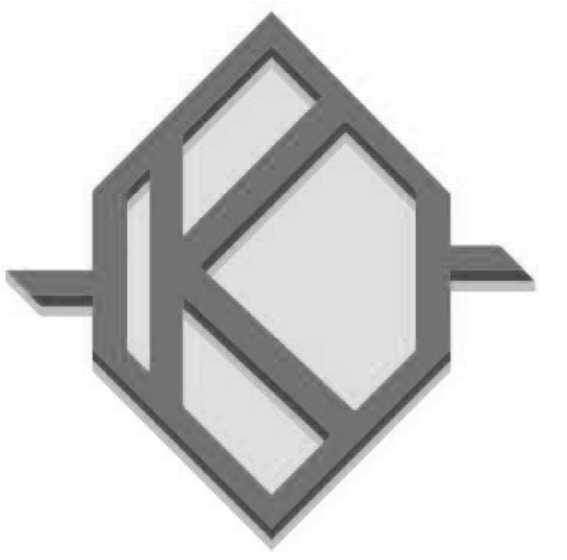
**DESIGNER**  
 Kobi Cummings

**DRAWN BY**  
 Kobi Cummings

**ISSUE**  
 11/15/2017

**SCALE**  
 1/2" = 1' - 0"  
 Unless Noted





Wall "A"  
You Can't Take It With You



Scale 1/2" = 1'-0"

Kobi Cummings

**CLIENT**  
Savannah College of Art  
And Design  
  
217 Martin Luther King Jr.  
Blvd.

**PROJECT**  
You Can't Take It With  
You Set

**DIRECTOR**  
Tyler Tunney

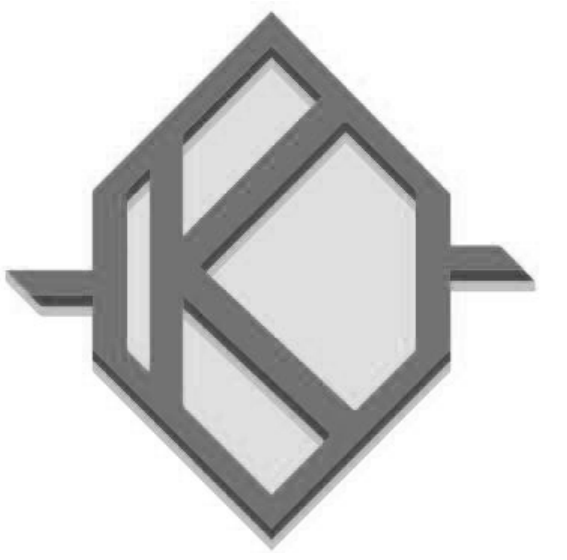
**DESIGNER**  
Kobi Cummings

**DRAWN BY**  
Kobi Cummings

**ISSUE**  
11/15/2017

**SCALE**  
1/2" = 1' - 0"  
Unless Noted

**A0.12**



Walls "B, C, & D"  
You Can't Take It With You



Scale 1/2" = 1'-0"

Kobi Cummings

**CLIENT**  
Savannah College of Art  
And Design  
  
217 Martin Luther King Jr.  
Blvd.

**PROJECT**  
You Can't Take It With  
You Set

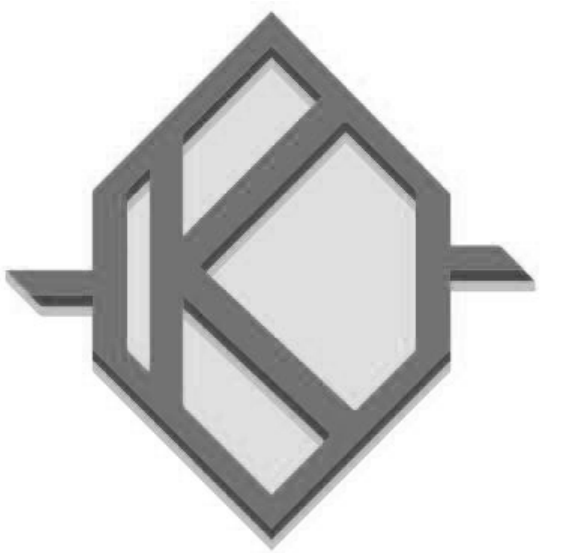
**DIRECTOR**  
Tyler Tunney

**DESIGNER**  
Kobi Cummings

**DRAWN BY**  
Kobi Cummings

**ISSUE**  
11/15/2017

**SCALE**  
1/2" = 1' - 0"  
Unless Noted



Walls "F, G, & H"  
You Can't Take It With You



Scale 1/2" = 1'-0"

Kobi Cummings

**CLIENT**  
Savannah College of Art  
And Design  
  
217 Martin Luther King Jr.  
Blvd.

**PROJECT**  
You Can't Take It With  
You Set

**DIRECTOR**  
Tyler Tunney

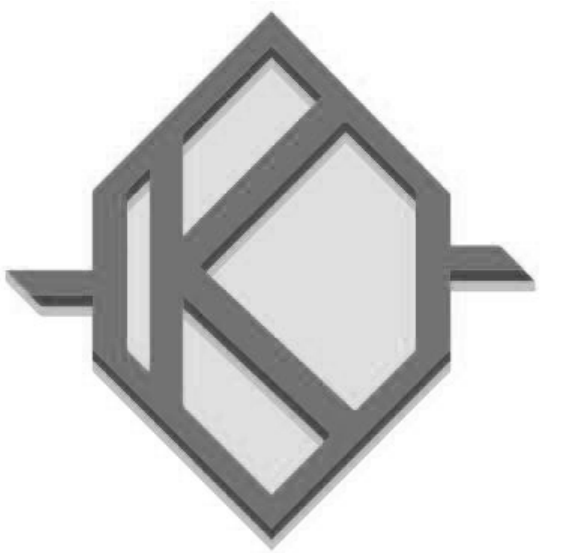
**DESIGNER**  
Kobi Cummings

**DRAWN BY**  
Kobi Cummings

**ISSUE**  
11/15/2017

**SCALE**  
1/2" = 1' - 0"  
Unless Noted





**CLIENT**  
Savannah College of Art  
And Design  
  
217 Martin Luther King Jr.  
Blvd.

**PROJECT**  
You Can't Take It With  
You Set

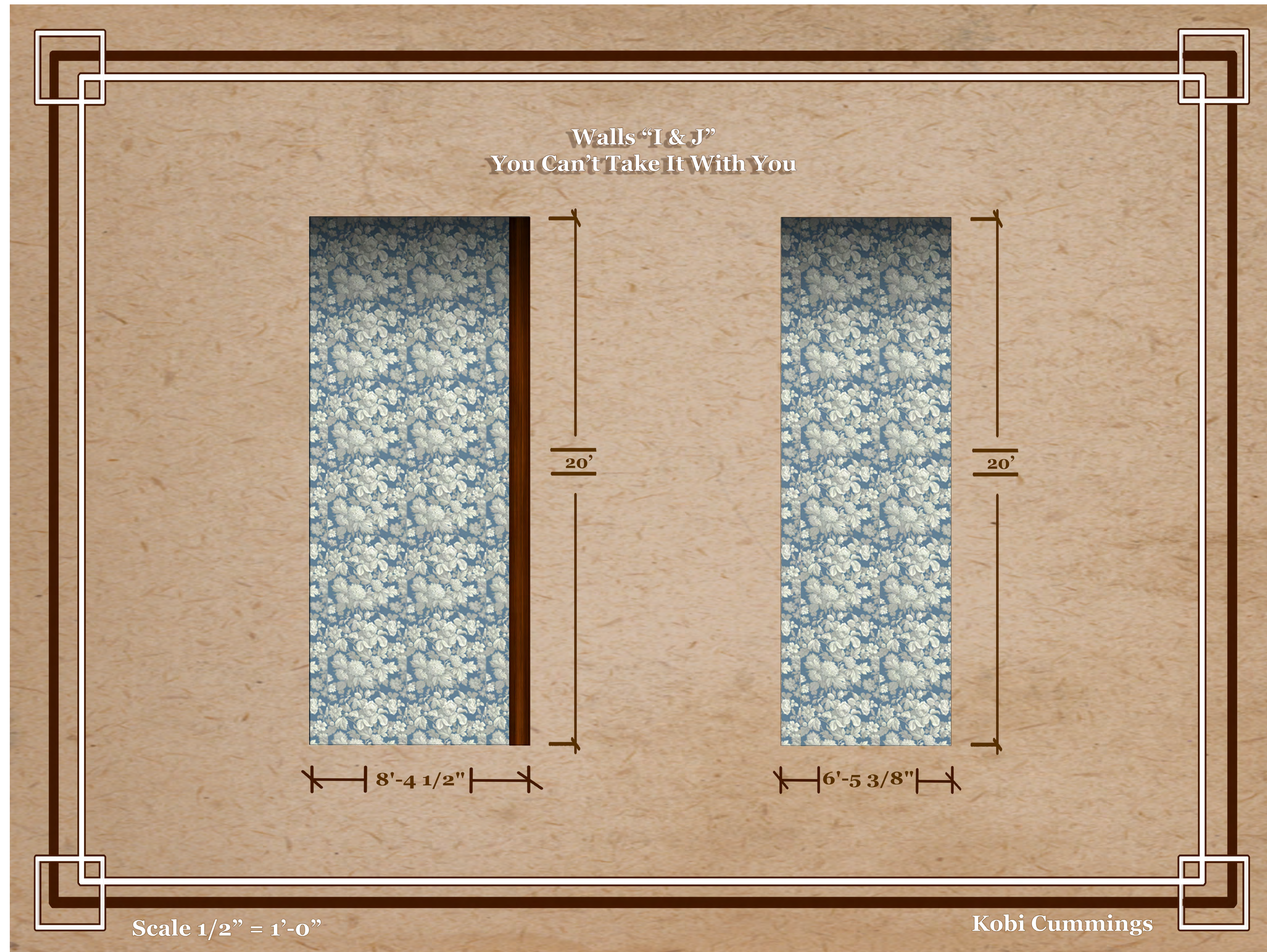
**DIRECTOR**  
Tyler Tunney

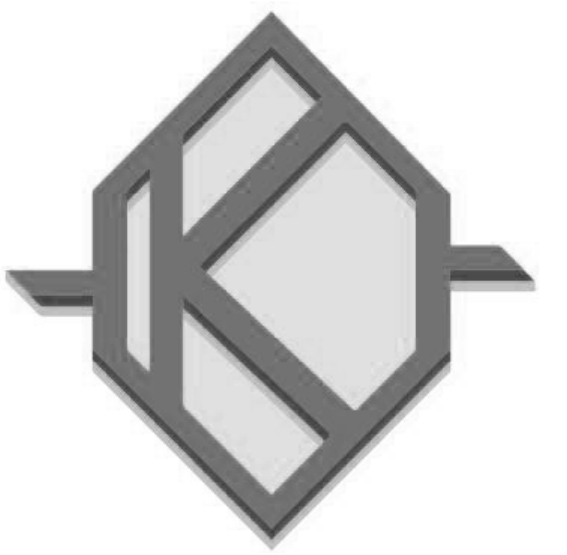
**DESIGNER**  
Kobi Cummings

**DRAWN BY**  
Kobi Cummings

**ISSUE**  
11/15/2017

**SCALE**  
1/2" = 1' - 0"  
Unless Noted





**CLIENT**  
Savannah College of Art  
And Design

217 Martin Luther King Jr.  
Blvd.

**PROJECT**  
You Can't Take It With  
You Set

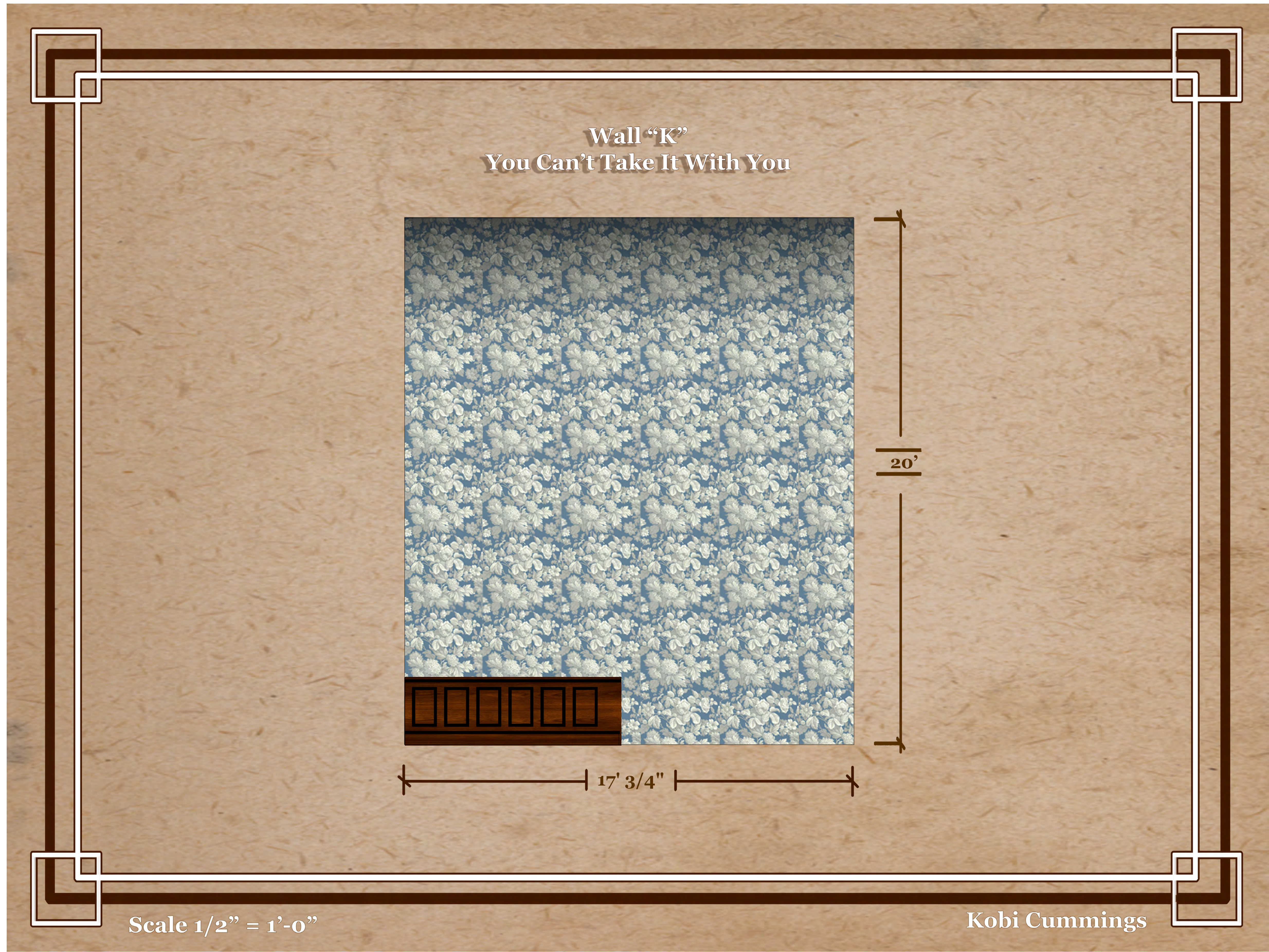
**DIRECTOR**  
Tyler Tunney

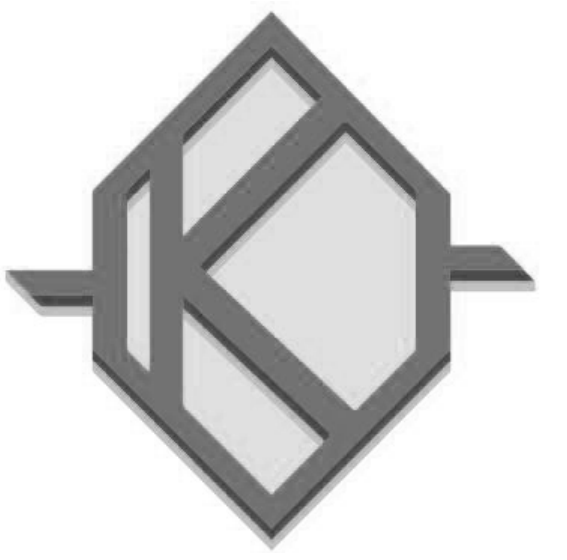
**DESIGNER**  
Kobi Cummings

**DRAWN BY**  
Kobi Cummings

**ISSUE**  
11/15/2017

**SCALE**  
1/2" = 1' - 0"  
Unless Noted





**CLIENT**  
Savannah College of Art  
And Design  
  
217 Martin Luther King Jr.  
Blvd.

**PROJECT**  
You Can't Take It With  
You Set

**DIRECTOR**  
Tyler Tunney

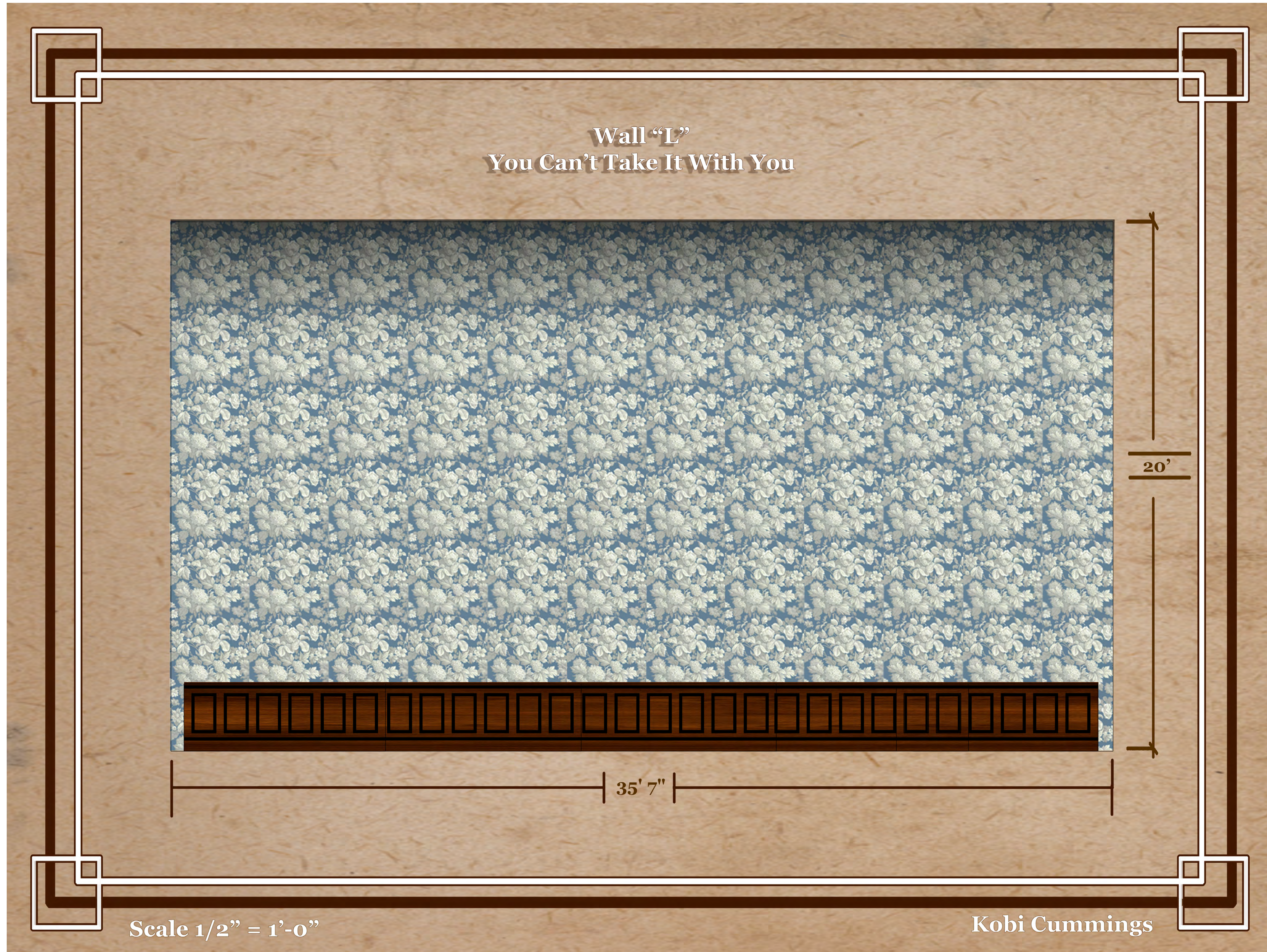
**DESIGNER**  
Kobi Cummings

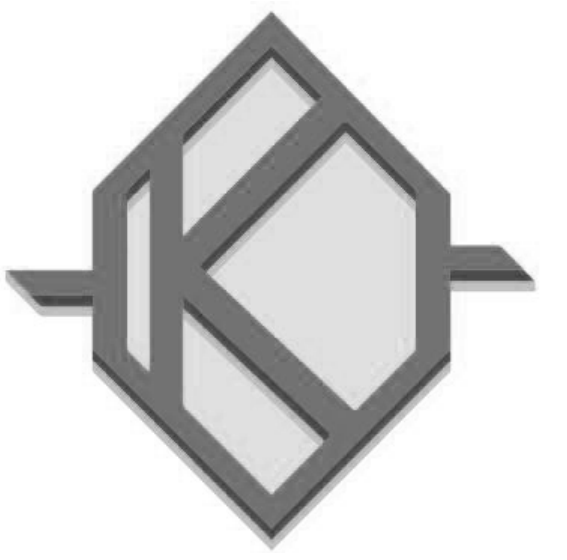
**DRAWN BY**  
Kobi Cummings

**ISSUE**  
11/15/2017

**SCALE**  
1/2" = 1' - 0"  
Unless Noted

**A0.17**





**CLIENT**  
Savannah College of Art  
And Design  
  
217 Martin Luther King Jr.  
Blvd.

**PROJECT**  
You Can't Take It With  
You Set

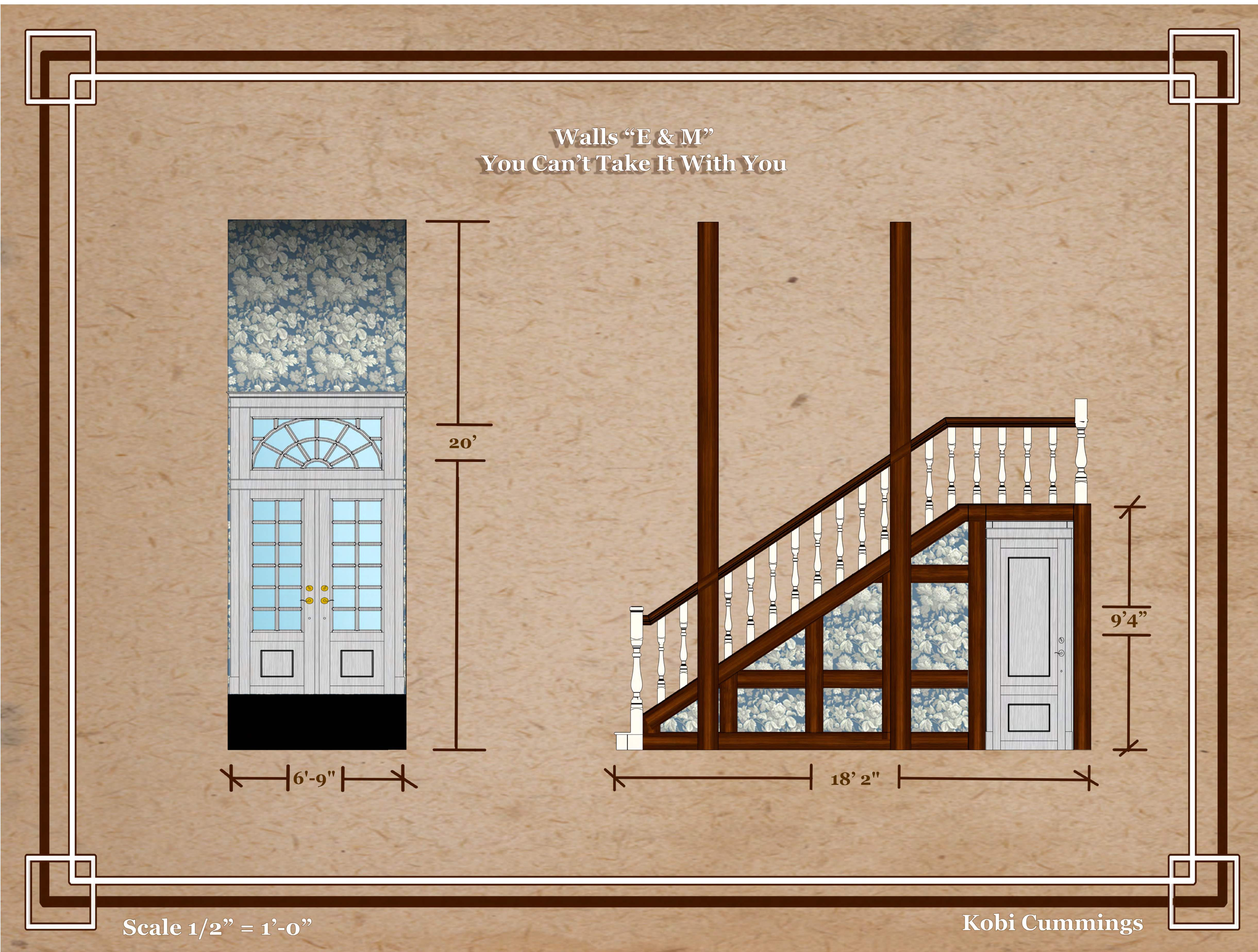
**DIRECTOR**  
Tyler Tunney

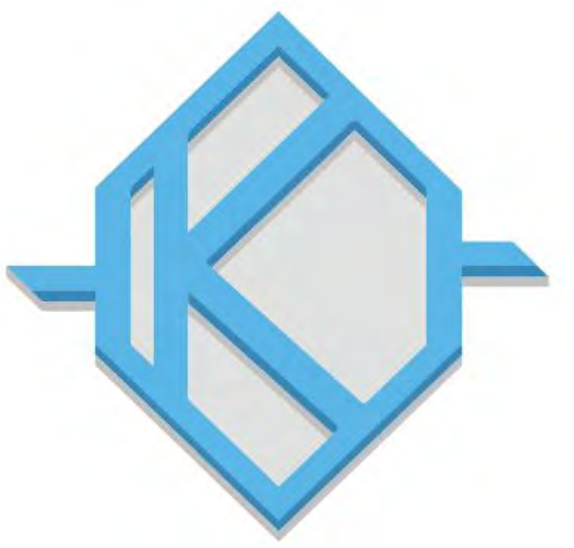
**DESIGNER**  
Kobi Cummings

**DRAWN BY**  
Kobi Cummings

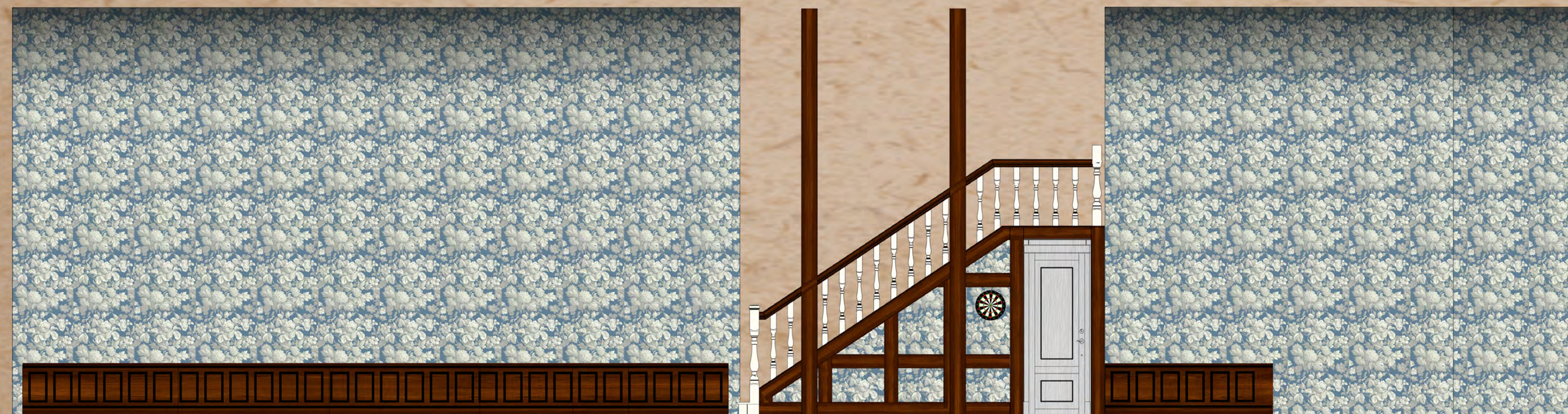
**ISSUE**  
11/15/2017

**SCALE**  
1/2" = 1' - 0"  
Unless Noted





**Running Elevation**  
**You Can't Take It With You**



Scale 1/4" = 1'-0"

Kobi Cummings

**CLIENT**  
Savannah College of Art  
And Design  
  
217 Martin Luther King Jr.  
Blvd.

**PROJECT**  
You Can't Take It With  
You Set

**DIRECTOR**  
Tyler Tunney

**DESIGNER**  
Kobi Cummings

**DRAWN BY**  
Kobi Cummings

**ISSUE**  
11/15/2017

**SCALE**  
1/2" = 1' - 0"  
Unless Noted

**A0.19**