

A Christmas Carol

XII

LONDON AND ITS ENVIRONS



The Savannah College of Art and Design

A Christmas Carol

March 14th, 2018.

Table of Contents:

pg.3 Ground Plan

pg.4 Section Stage Right

pg.5 Section Stage Left

pg.6 Line Schedule

pg.7 Platforms A & B

pg.8 Platforms C, D, & E

pg.9 Platforms F, G, & H

pg.10 Platforms I, J, & K

pg.11 Portal A & Stair A

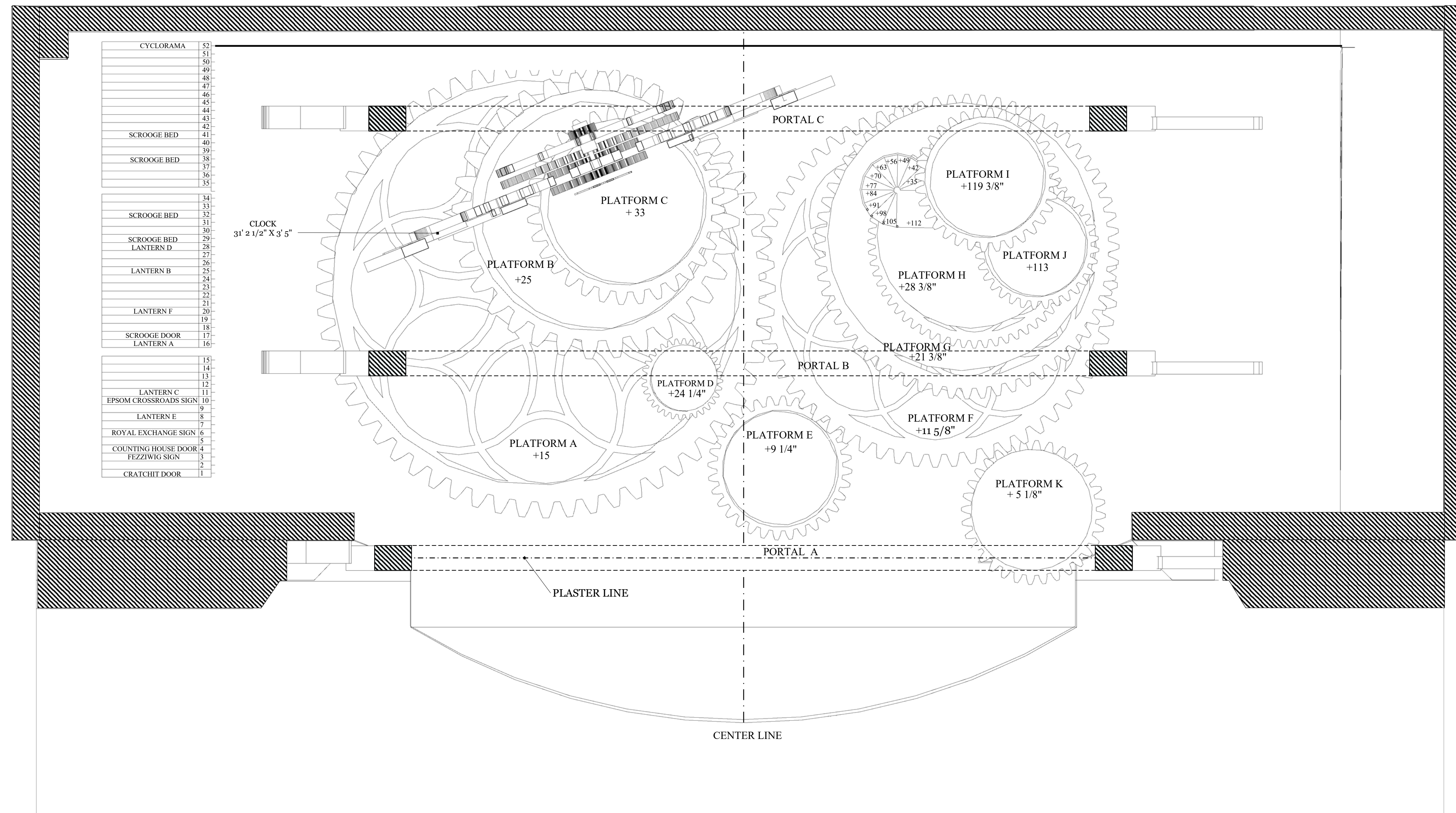
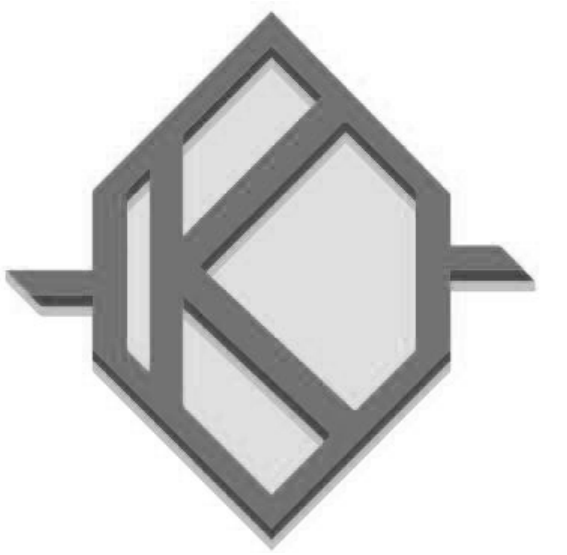
pg.12 Portals B & C

pg.13 Door A Detail

pg.14 Counting House Rendering

pg.15 Scrooge House Rendering

pg.16 Park Rendering



CLIENT
Savannah College of Art
And Design

217 Martin Luther King Jr.
Blvd.

PROJECT
A Christmas Carol

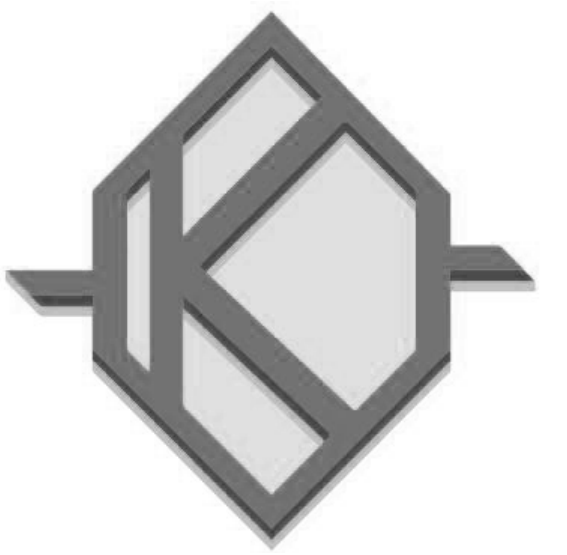
DIRECTOR
Tyler Tunney

DESIGNER
Kobi Cummings

DRAWN BY
Kobi Cummings

ISSUE
3/14/2018

SCALE
1/2" = 1' - 0"
Unless Noted



CLIENT
Savannah College of Art
And Design

217 Martin Luther King Jr.
Blvd.

PROJECT
A Christmas Carol

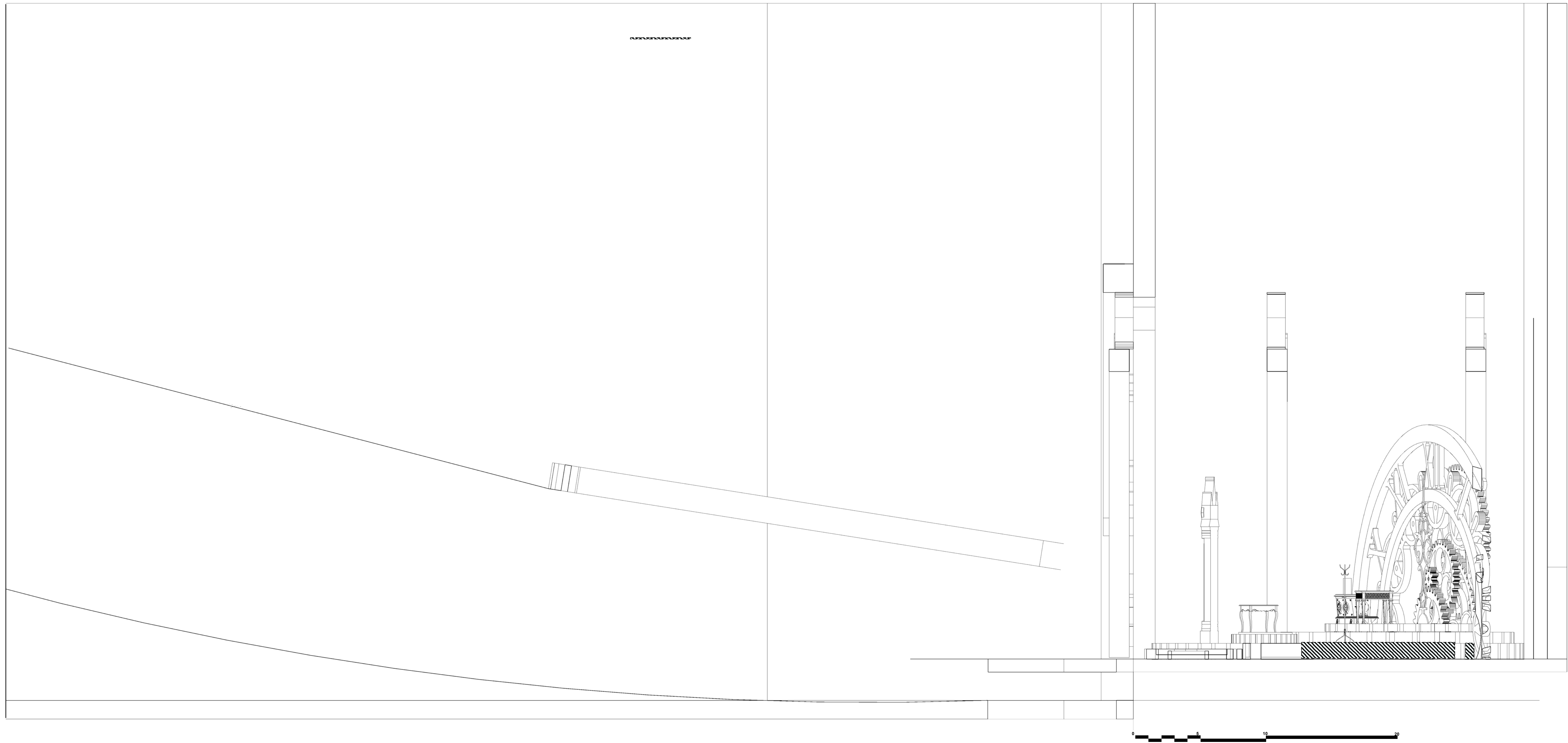
DIRECTOR
Tyler Tunney

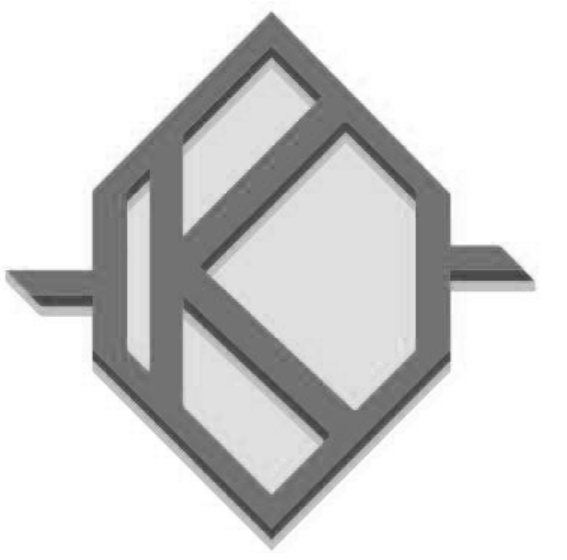
DESIGNER
Kobi Cummings

DRAWN BY
Kobi Cummings

ISSUE
3/14/2018

SCALE
1/2" = 1' - 0"
Unless Noted





CLIENT
Savannah College of Art
And Design

217 Martin Luther King Jr.
Blvd.

PROJECT
A Christmas Carol

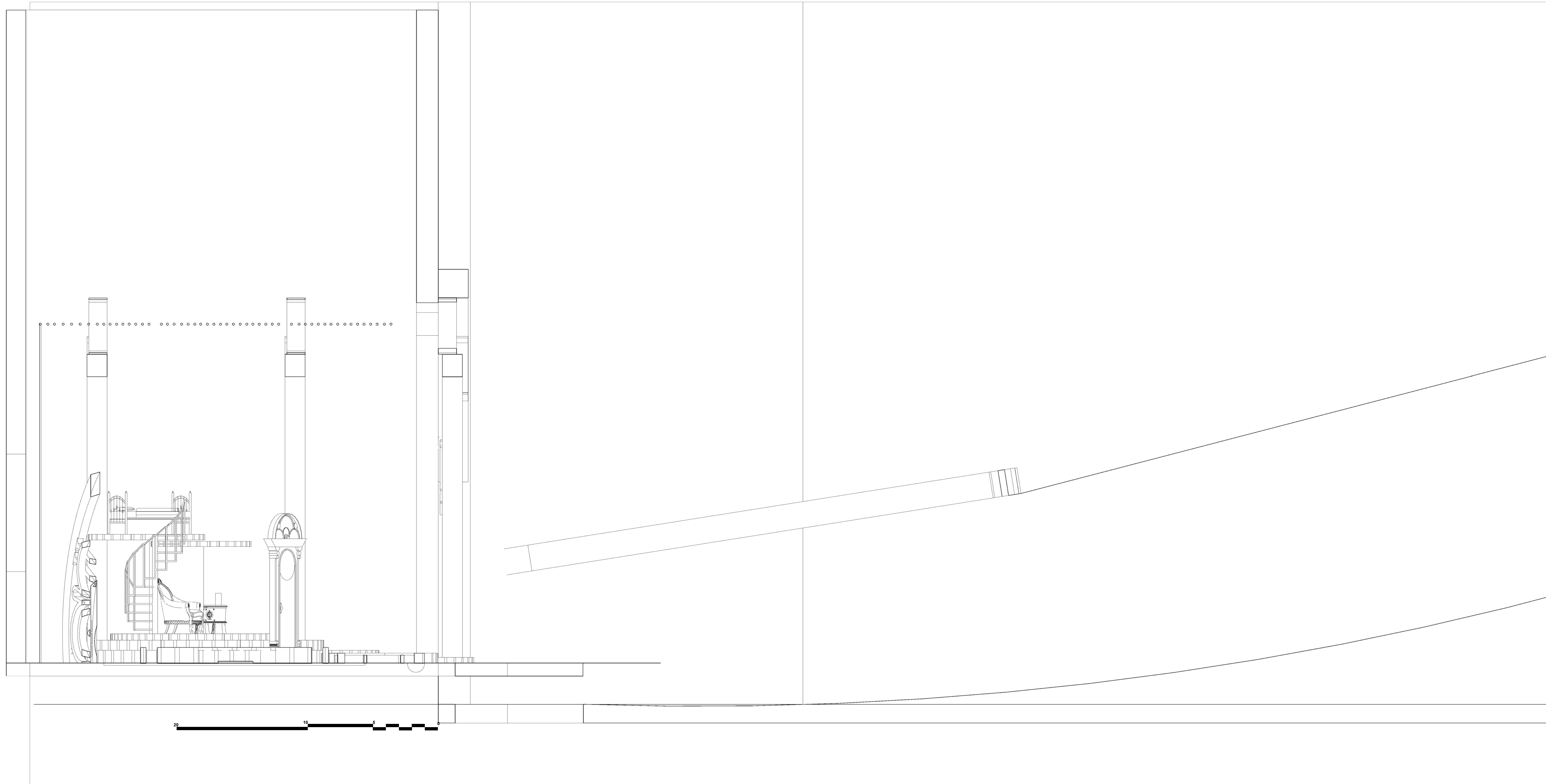
DIRECTOR
Tyler Tunney

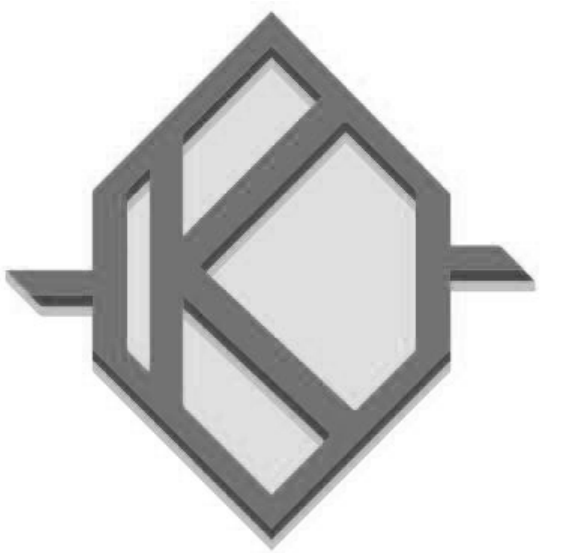
DESIGNER
Kobi Cummings

DRAWN BY
Kobi Cummings

ISSUE
3/14/2018

SCALE
1/2" = 1' - 0"
Unless Noted





CLIENT
Savannah College of Art
And Design

217 Martin Luther King Jr.
Blvd.

PROJECT
A Christmas Carol

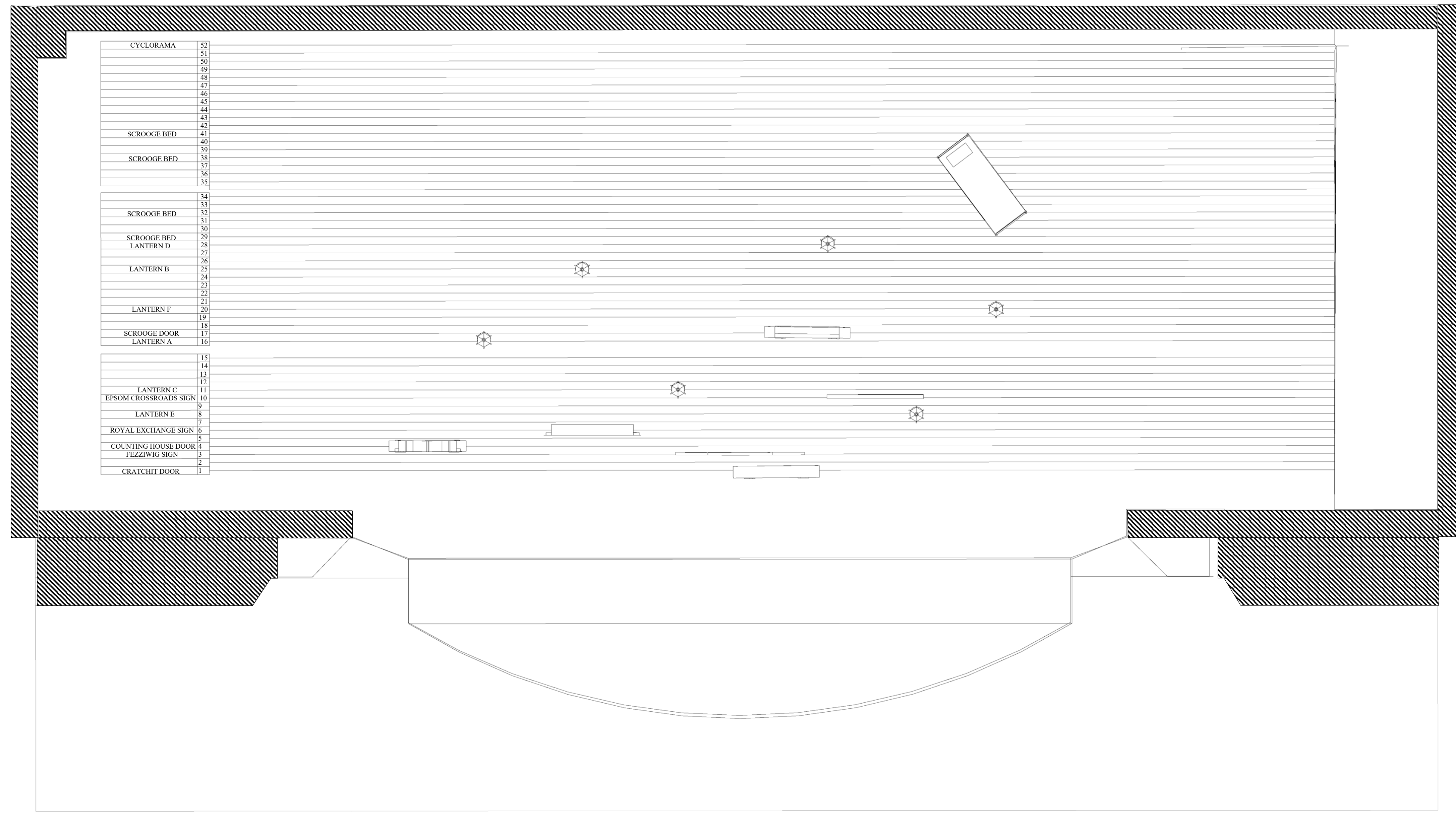
DIRECTOR
Tyler Tunney

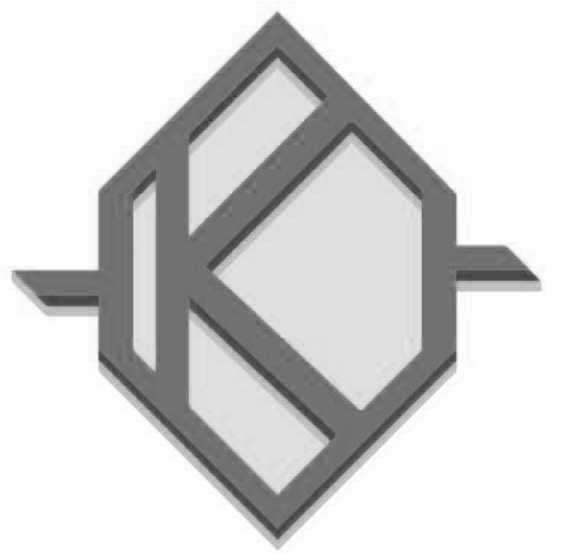
DESIGNER
Kobi Cummings

DRAWN BY
Kobi Cummings

ISSUE
3/14/2018

SCALE
1/2" = 1' - 0"
Unless Noted





CLIENT
Savannah College of Art
And Design

217 Martin Luther King Jr.
Blvd.

PROJECT
A Christmas Carol

DIRECTOR
Tyler Tunney

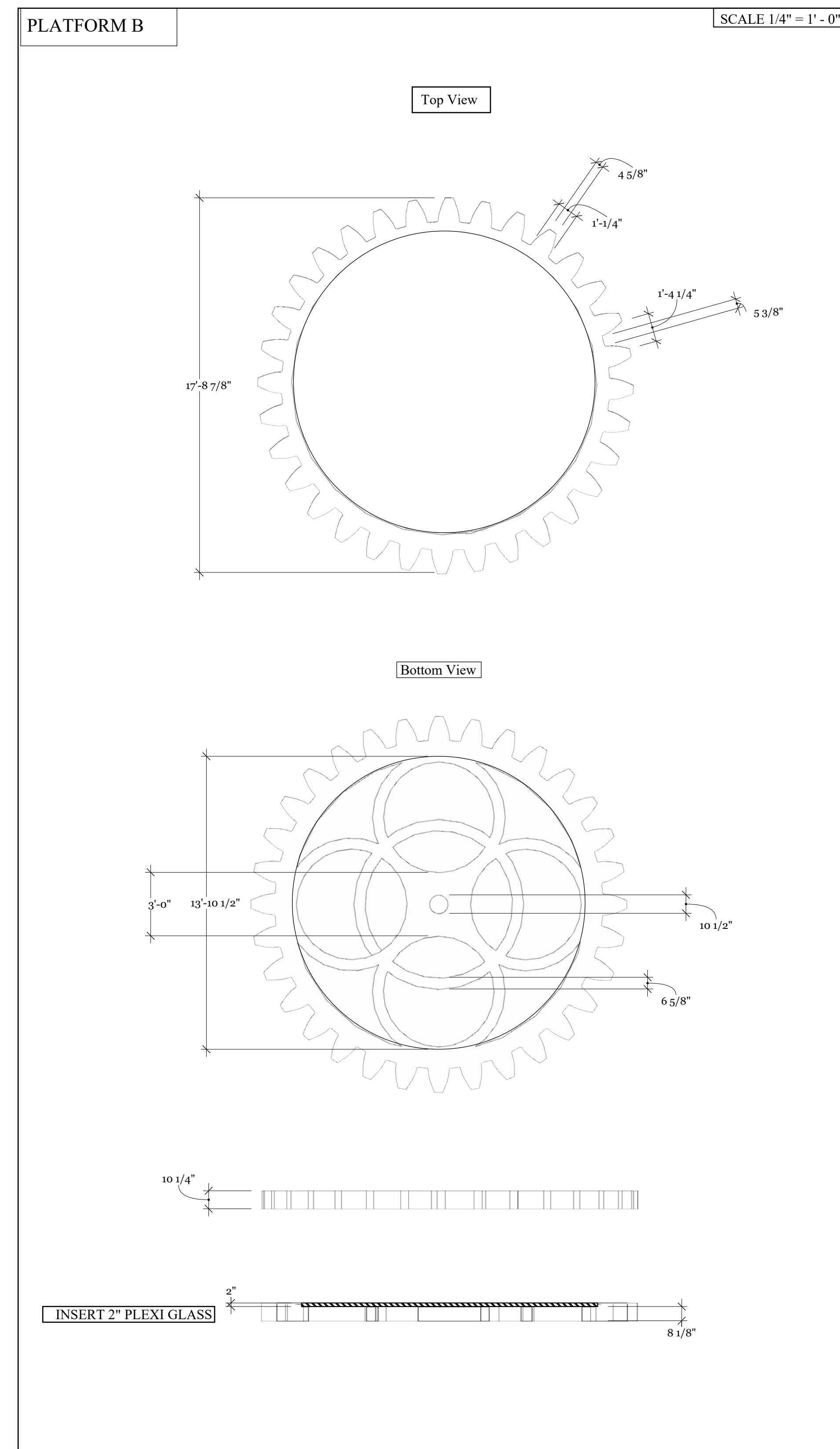
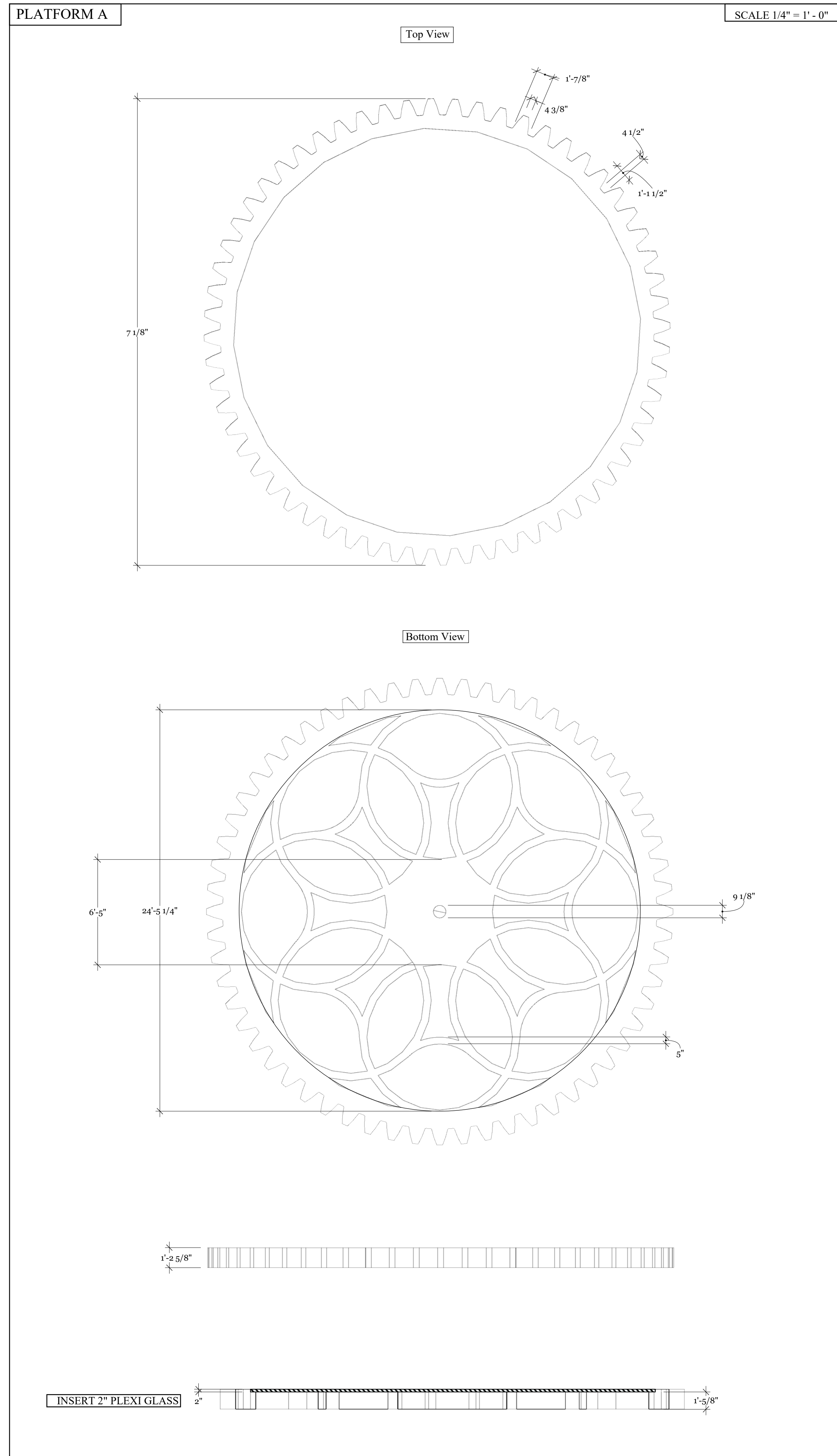
DESIGNER
Kobi Cummings

DRAWN BY
Kobi Cummings

ISSUE
3/14/2018

SCALE
1/2" = 1' - 0"
Unless Noted

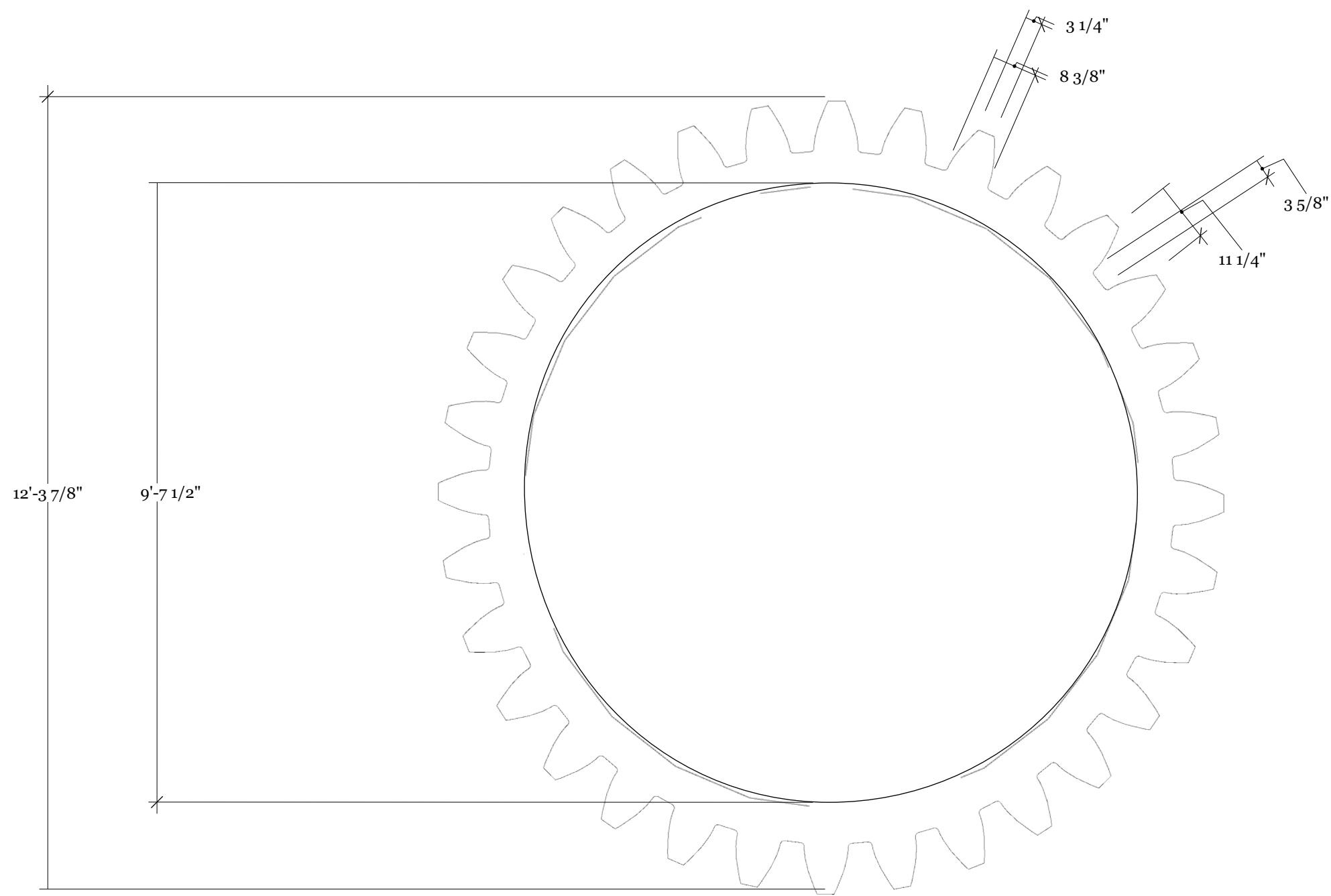
A0.05



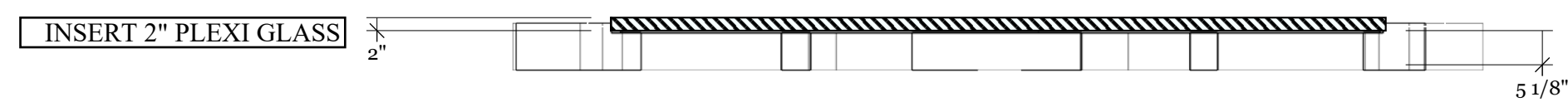
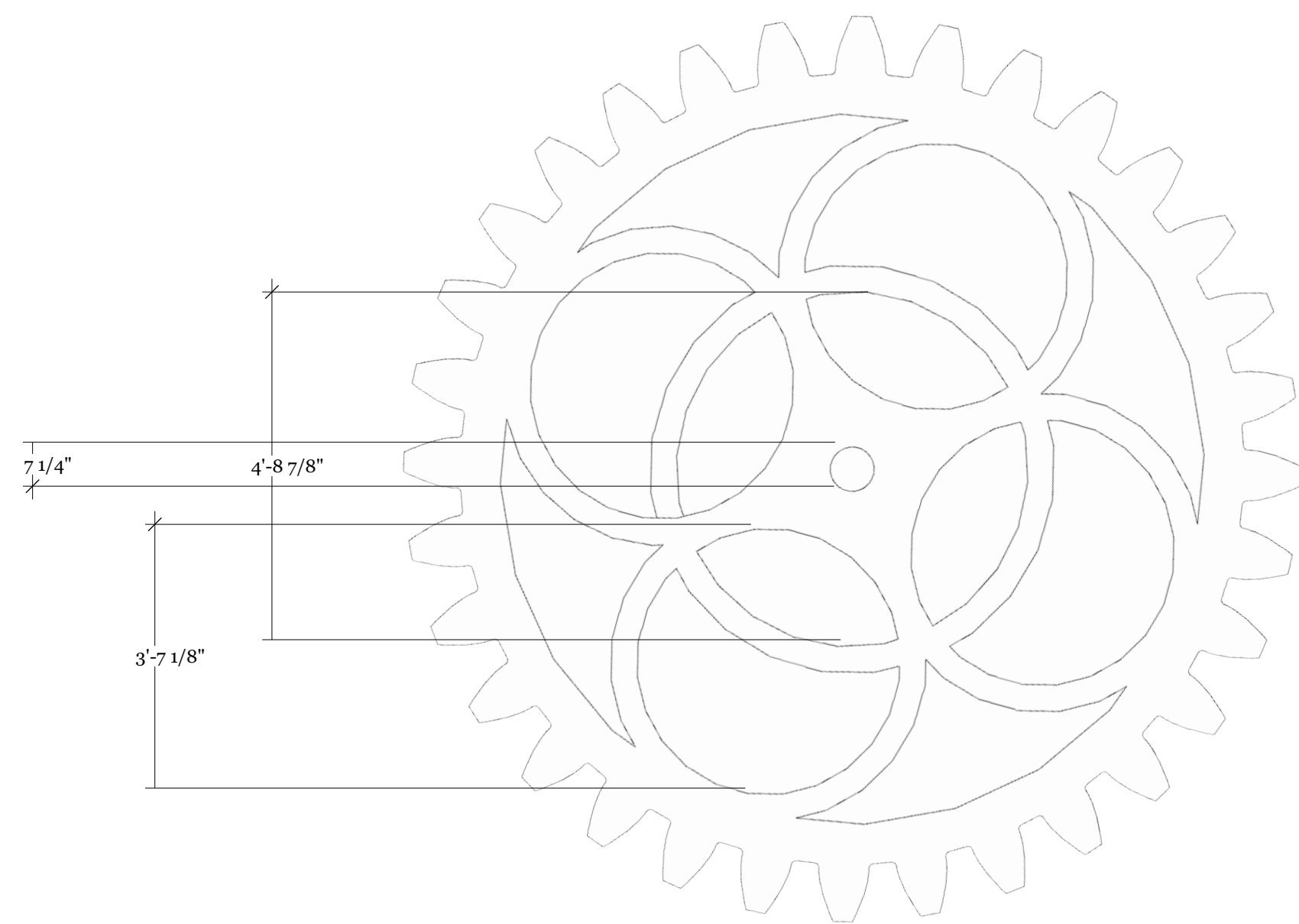
PLATFORM C

SCALE 1/2" - 1' 0"

Top View



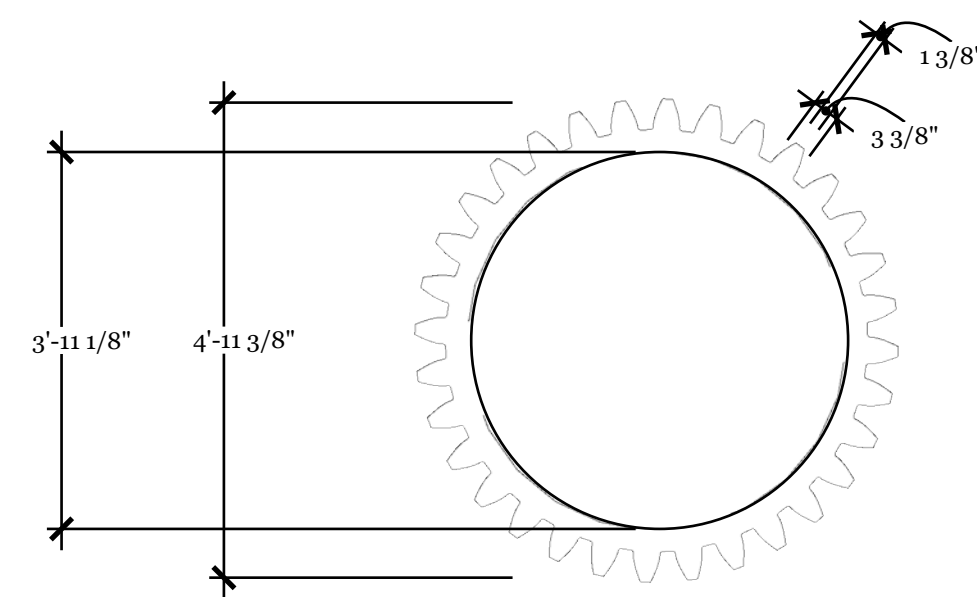
Bottom View



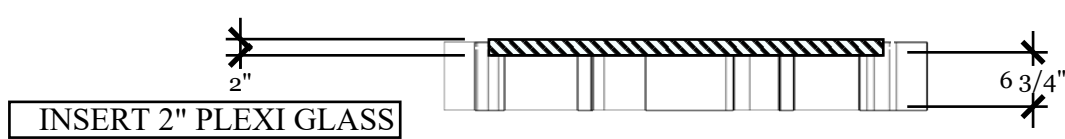
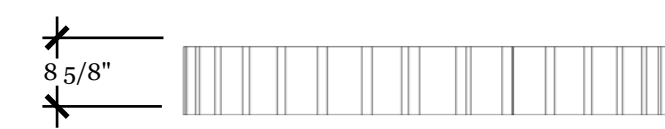
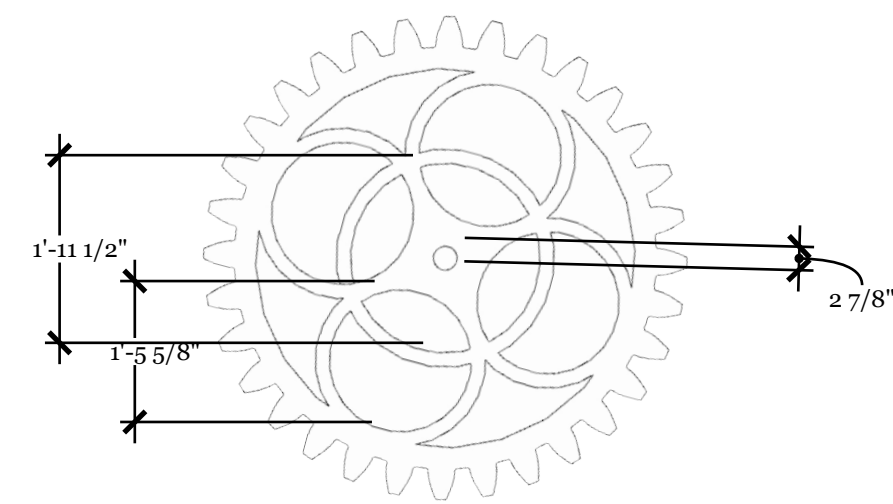
PLATFORM D

SCALE 1/2" - 1' 0"

Top View



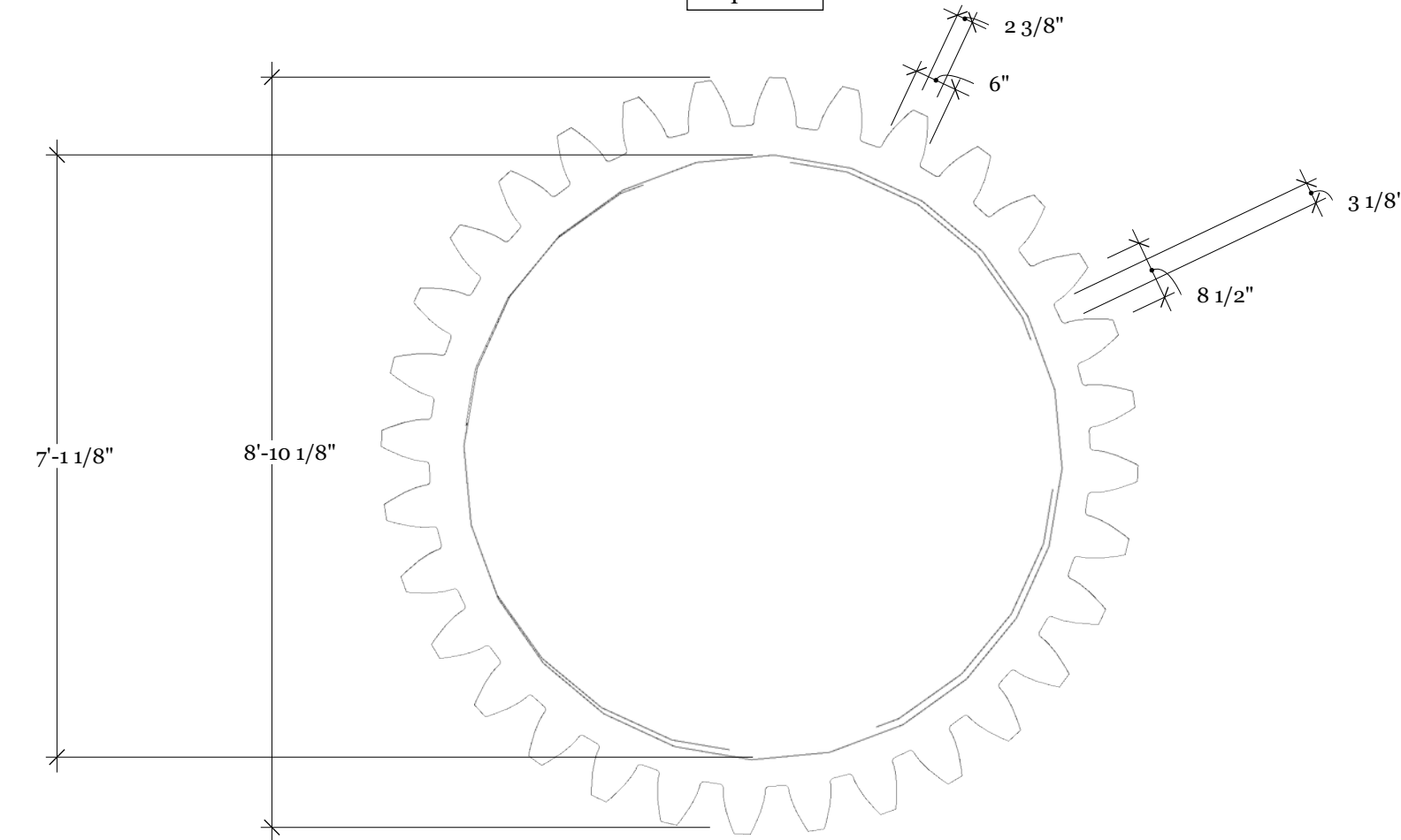
Bottom View



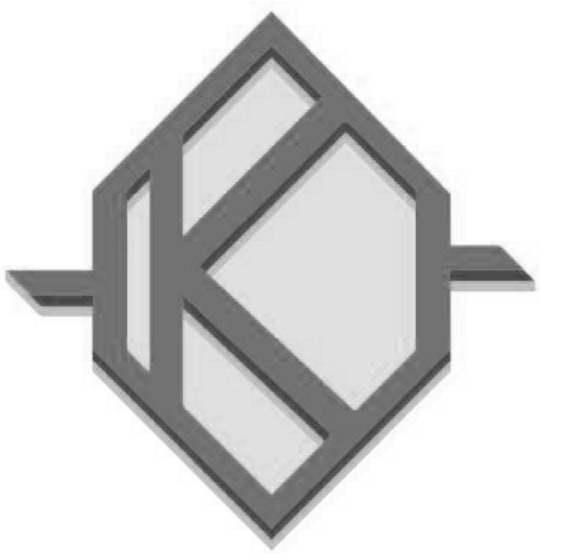
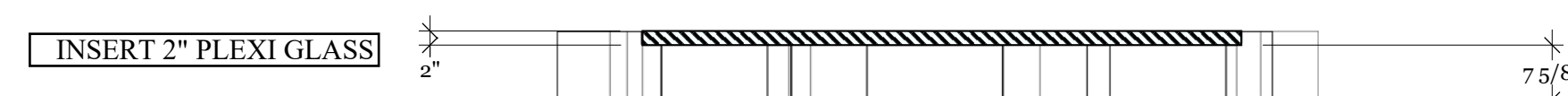
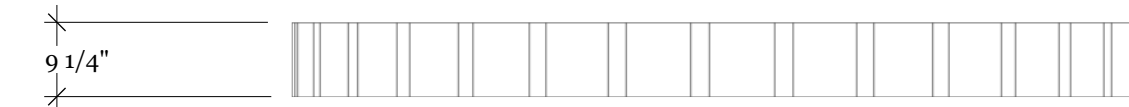
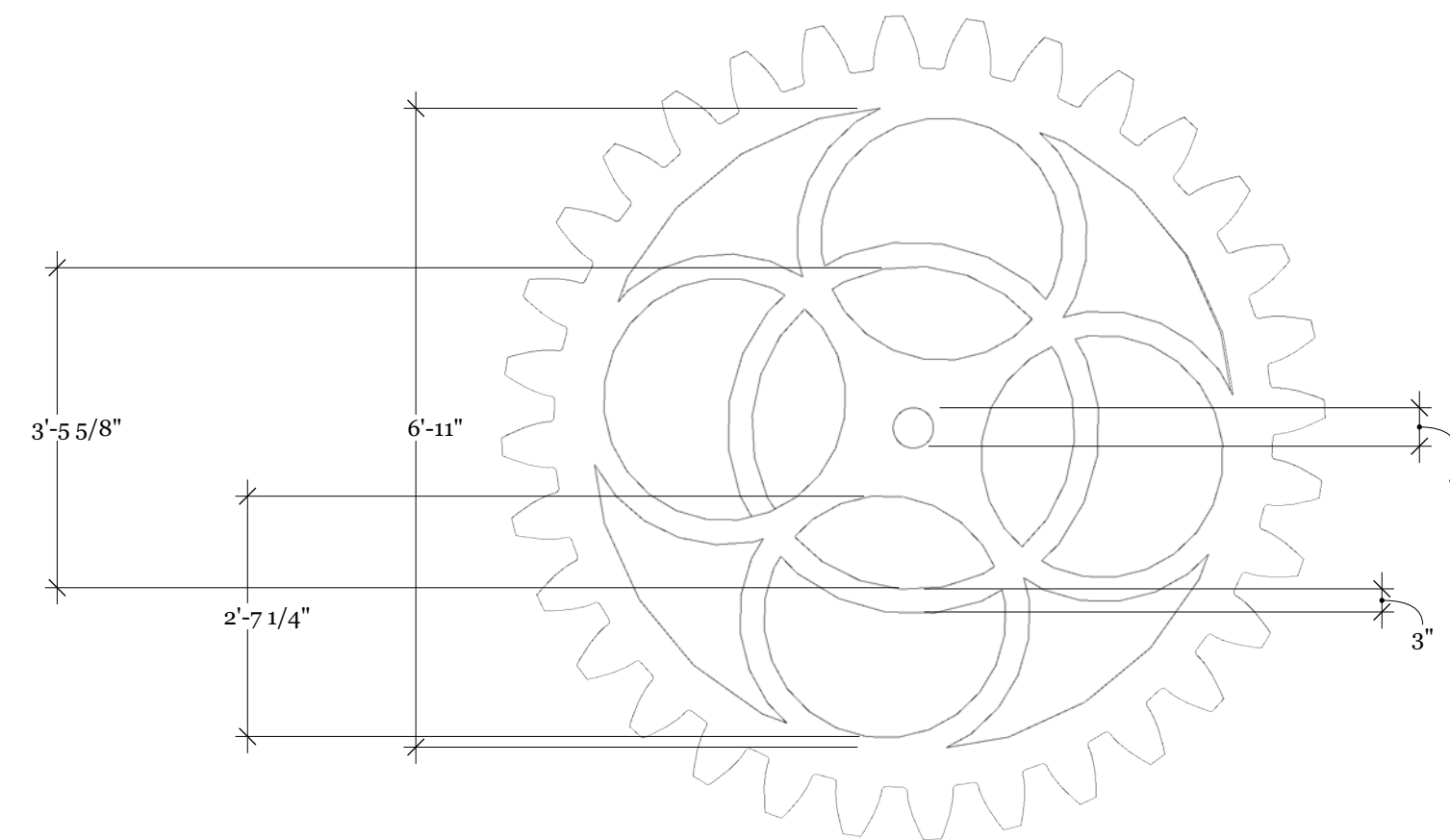
PLATFORM E

SCALE 1/2" - 1' 0"

Top View



Bottom View



CLIENT
Savannah College of Art
And Design

217 Martin Luther King Jr.
Blvd.

PROJECT
A Christmas Carol

DIRECTOR
Tyler Tunney

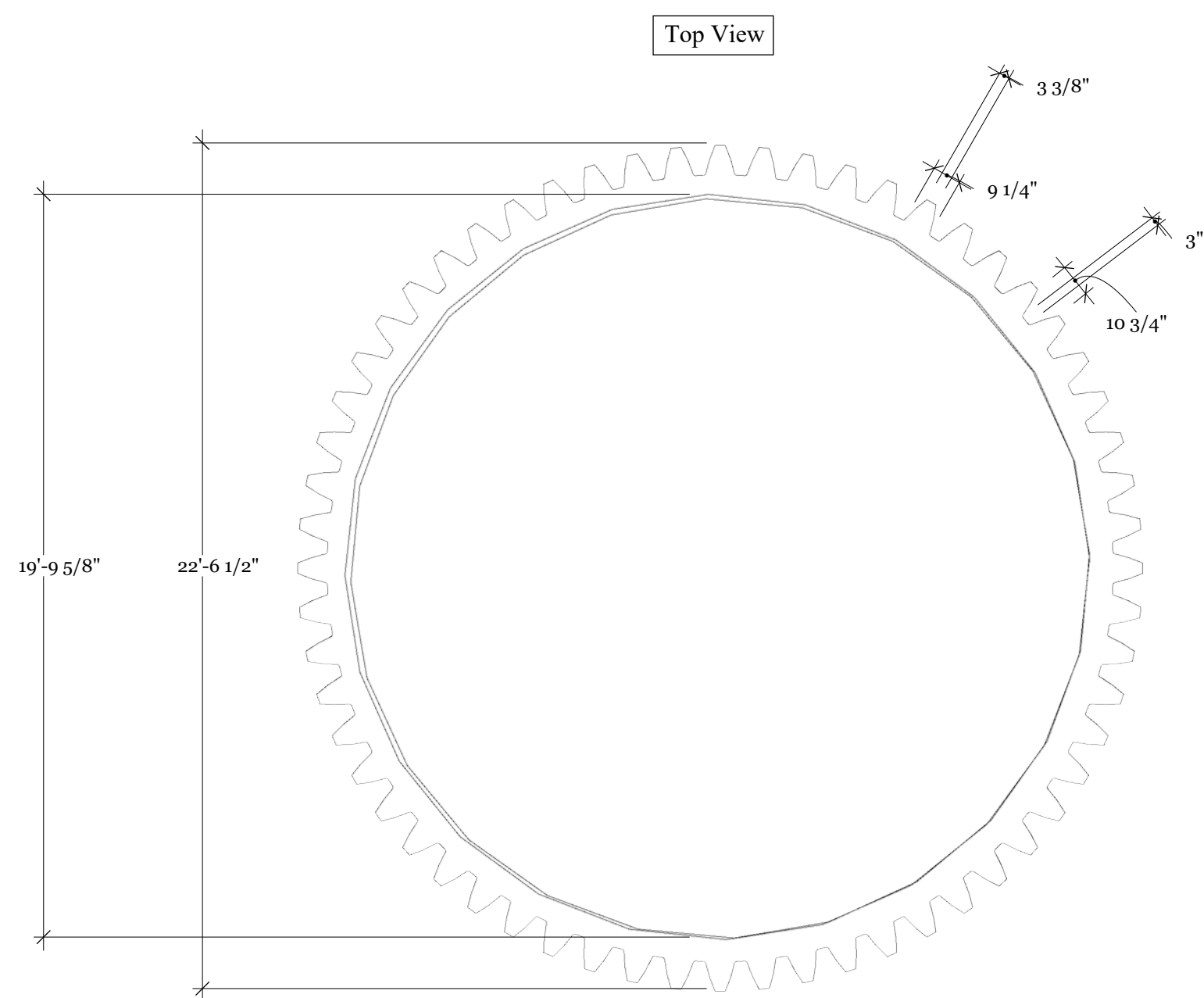
DESIGNER
Kobi Cummings

DRAWN BY
Kobi Cummings

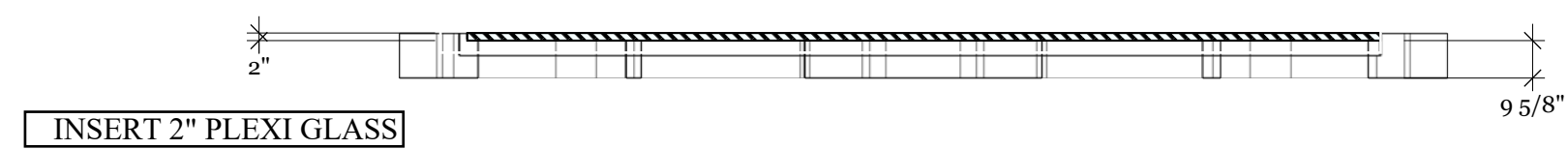
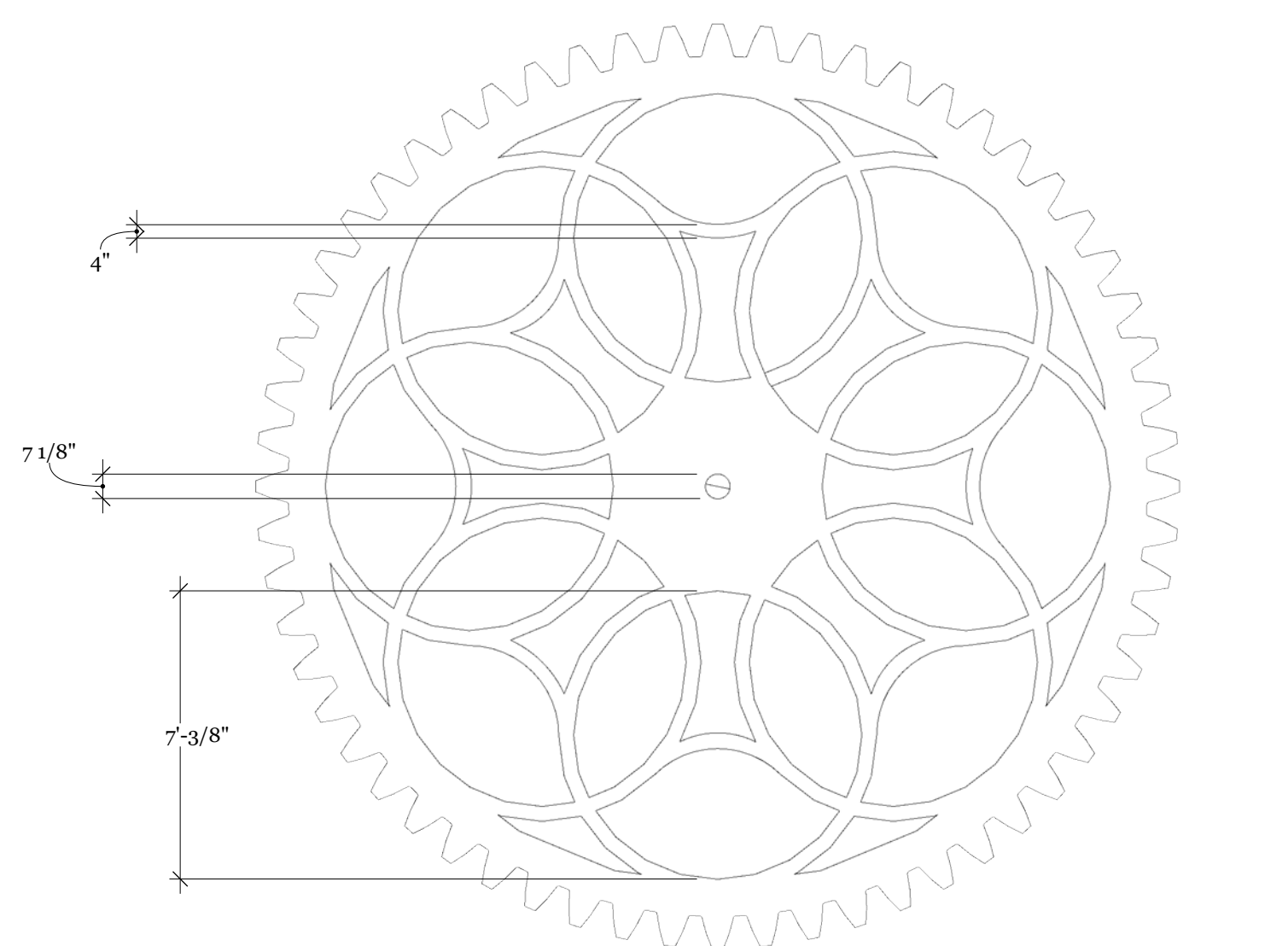
ISSUE
3/14/2018

SCALE
1/2" = 1' - 0"
Unless Noted

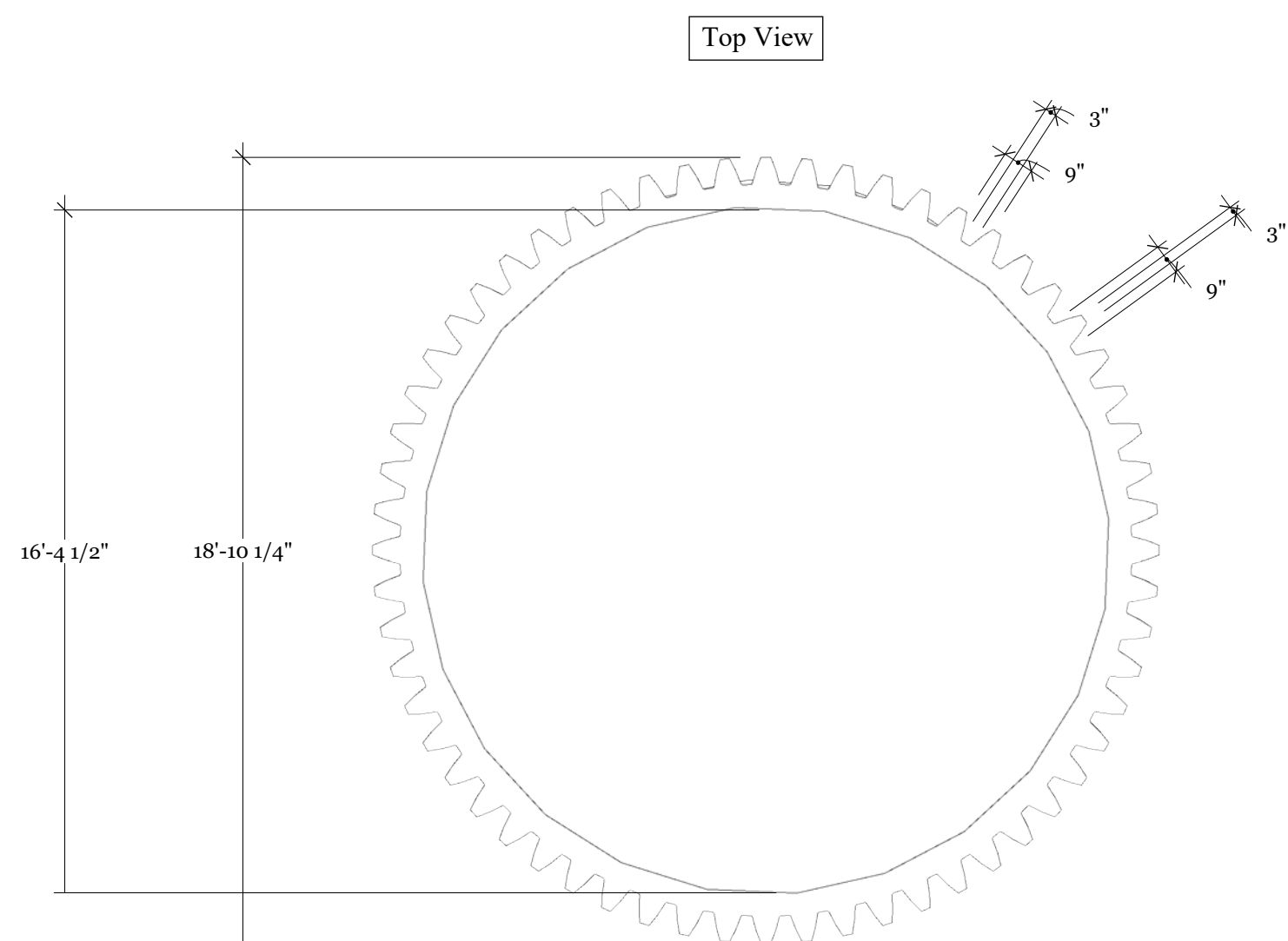
PLATFORM F SCALE 1/4" = 1' - 0"



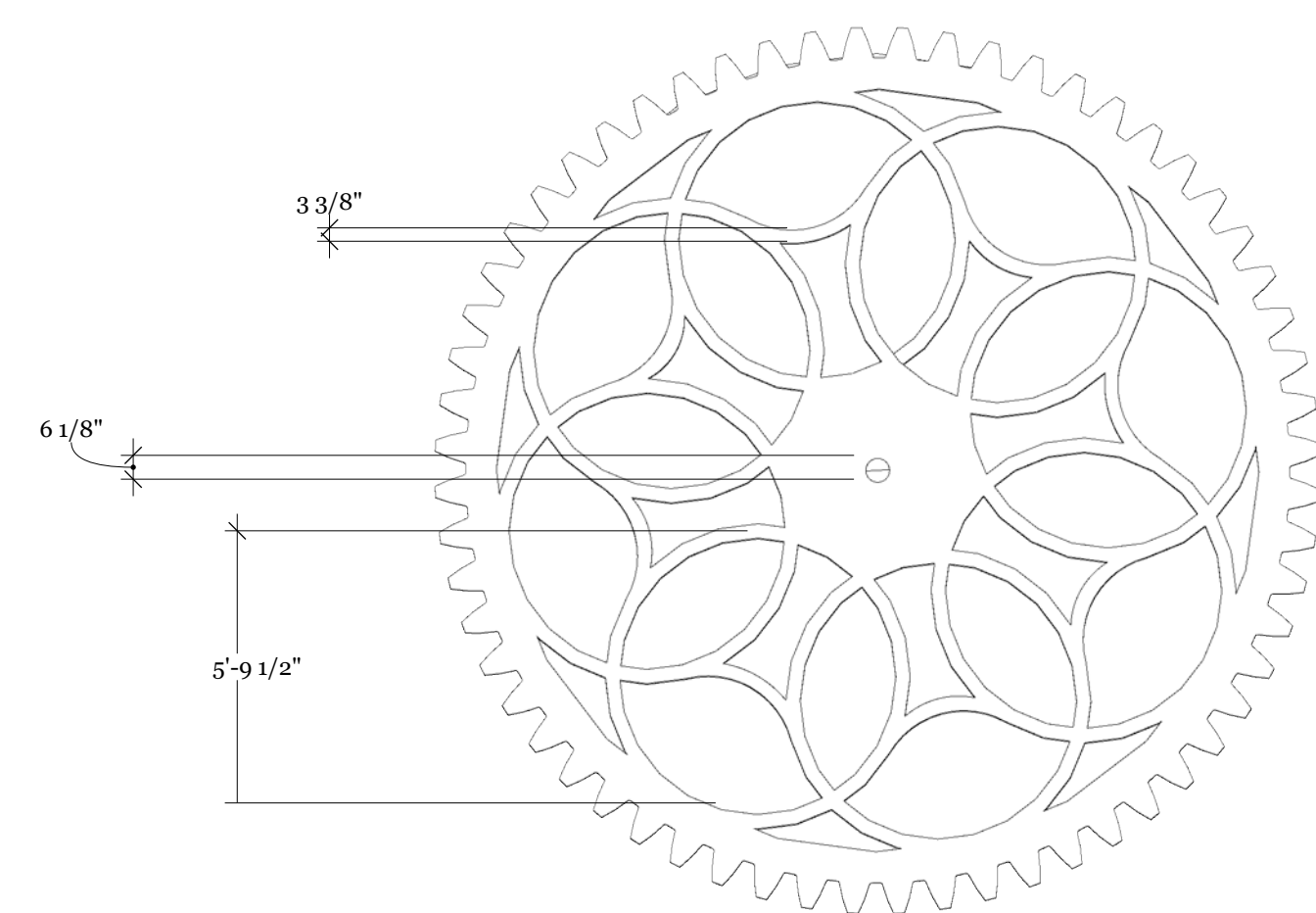
Bottom View



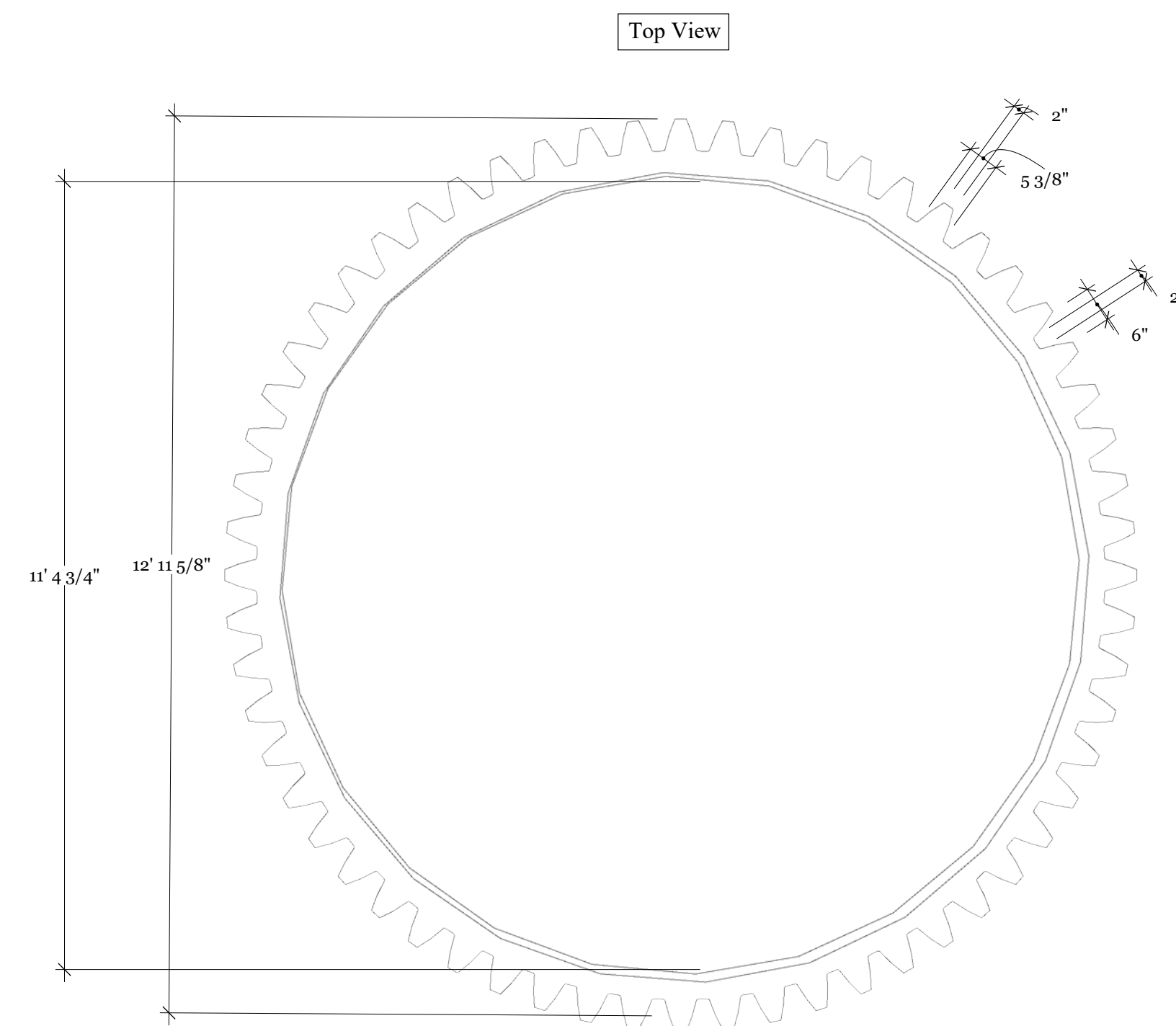
PLATFORM G SCALE 1/4" = 1' - 0"



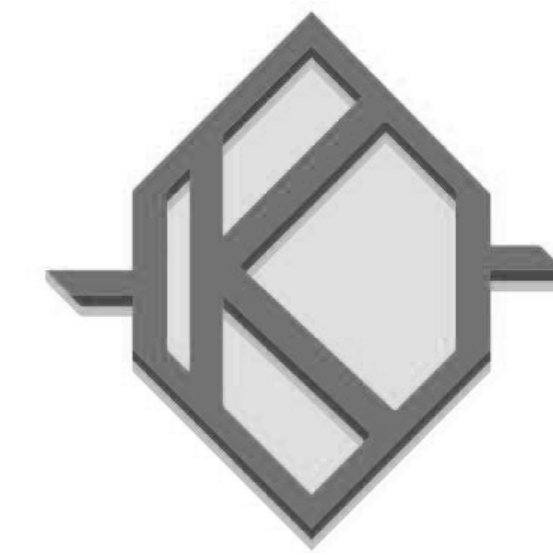
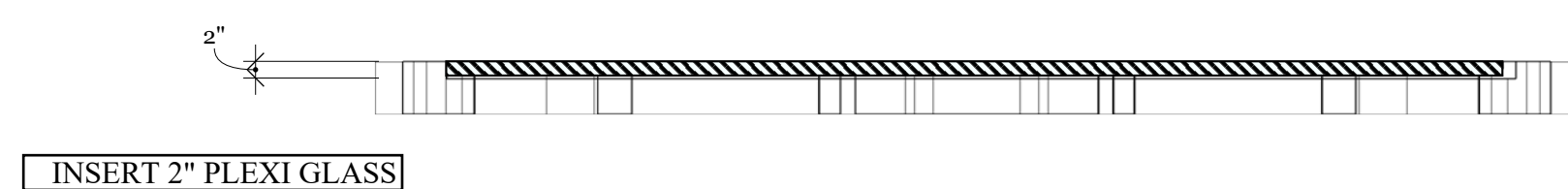
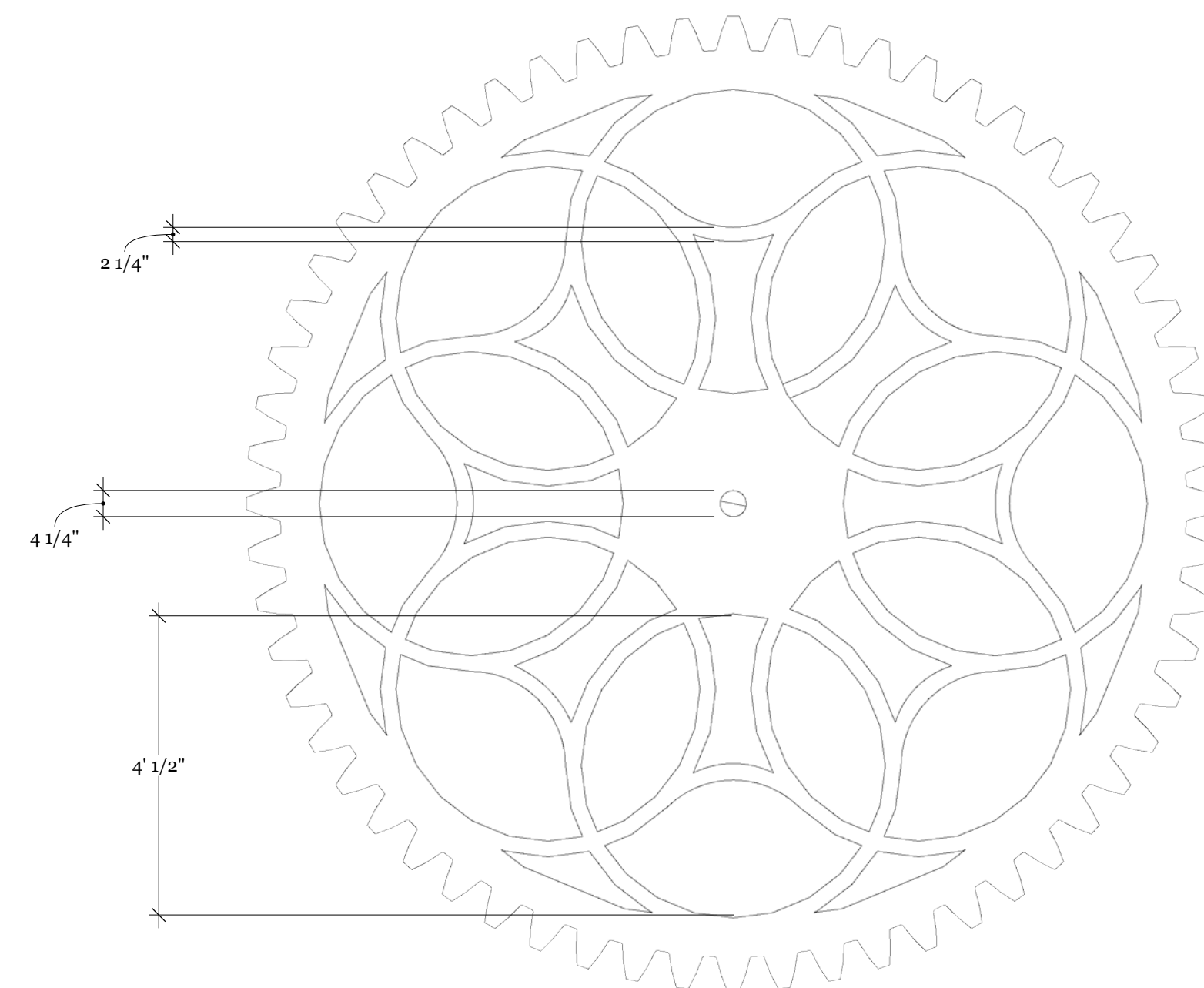
Bottom View



PLATFORM H SCALE 1/2" = 1' - 0"



Bottom View



CLIENT
Savannah College of Art
And Design

217 Martin Luther King Jr.
Blvd.

PROJECT
A Christmas Carol

DIRECTOR
Tyler Tunney

DESIGNER
Kobi Cummings

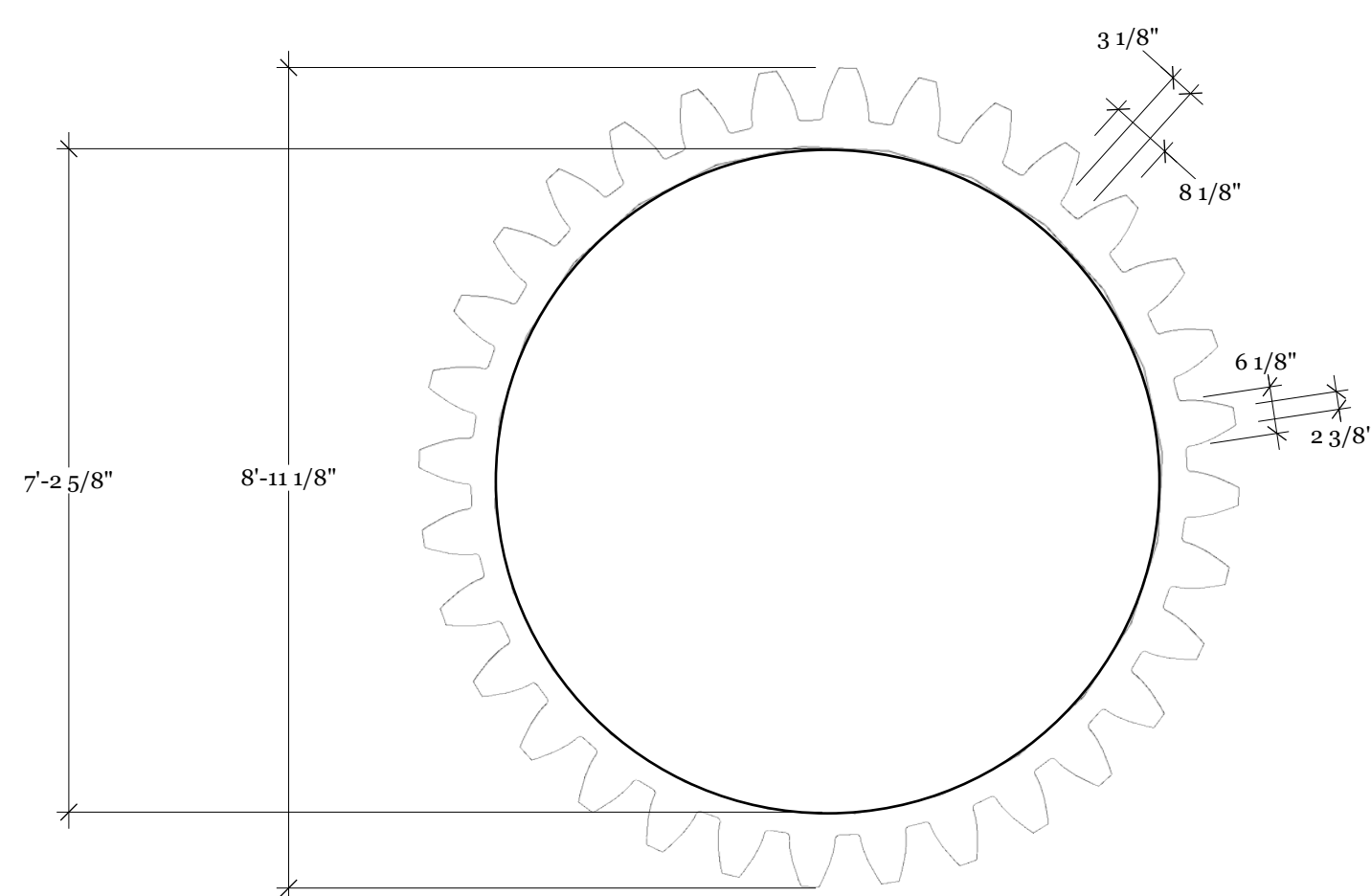
DRAWN BY
Kobi Cummings

ISSUE
3/14/2018

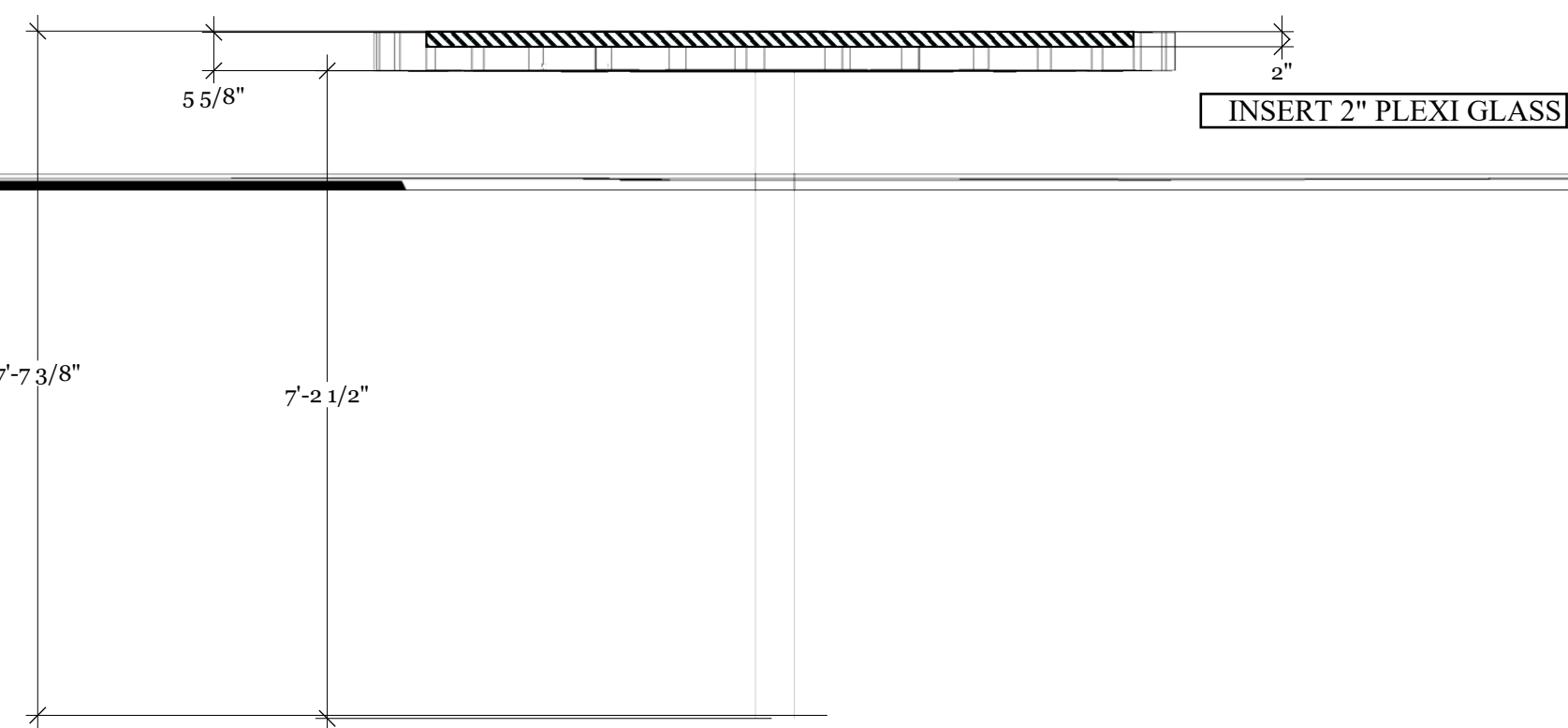
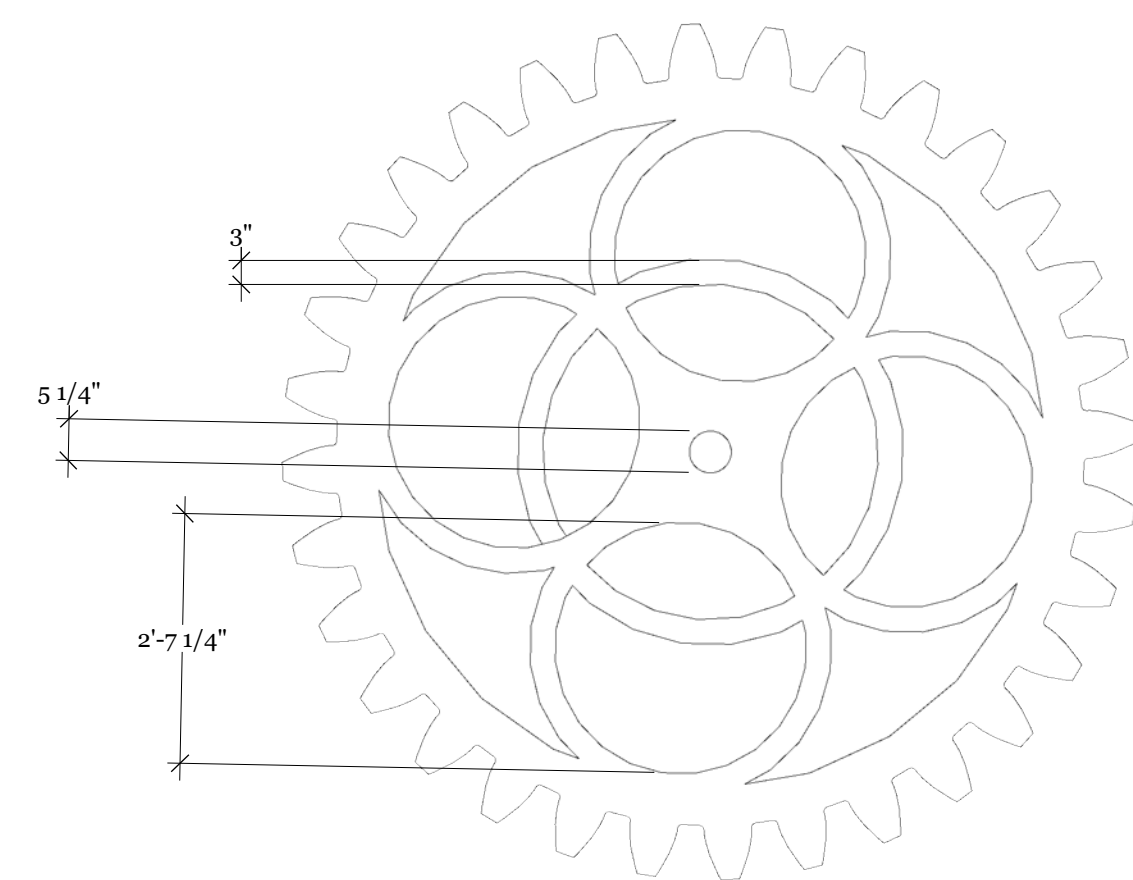
SCALE
1/2" = 1' - 0"
Unless Noted

PLATFORM I SCALE 1/2" = 1' - 0"

Top View

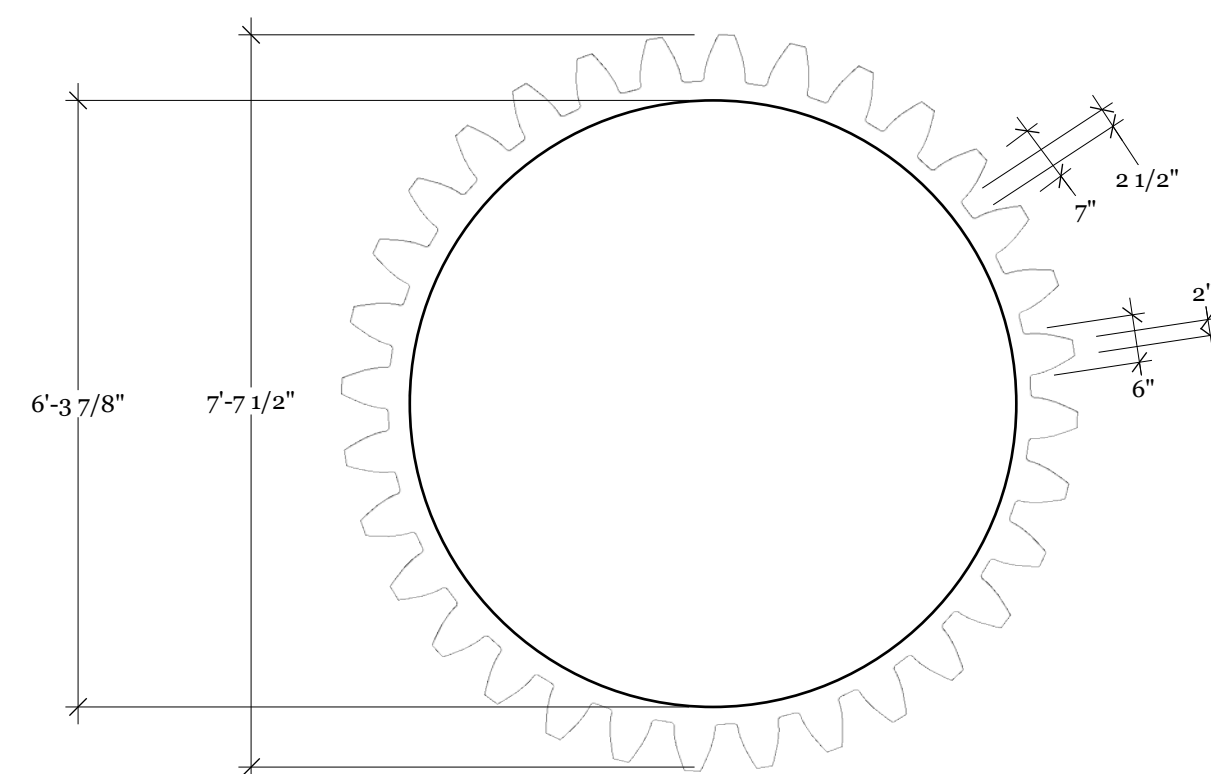


Bottom View

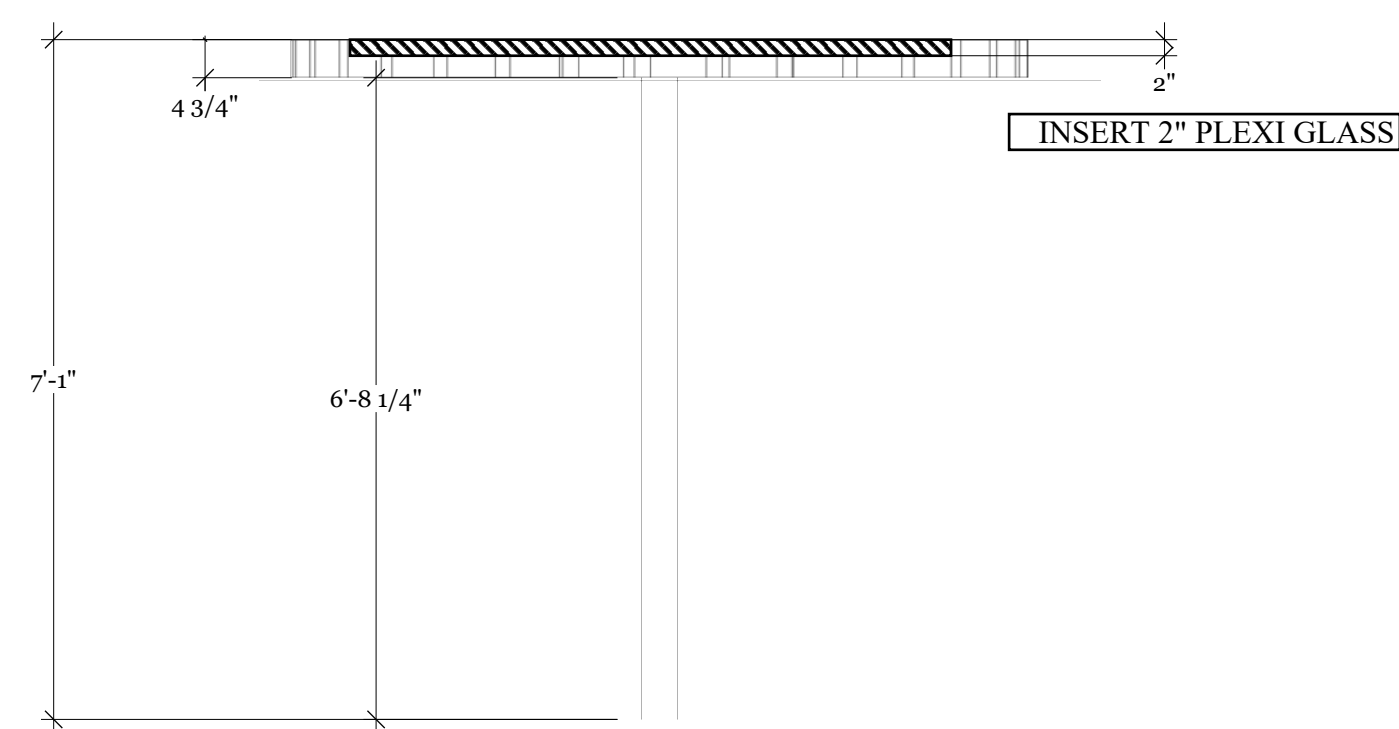
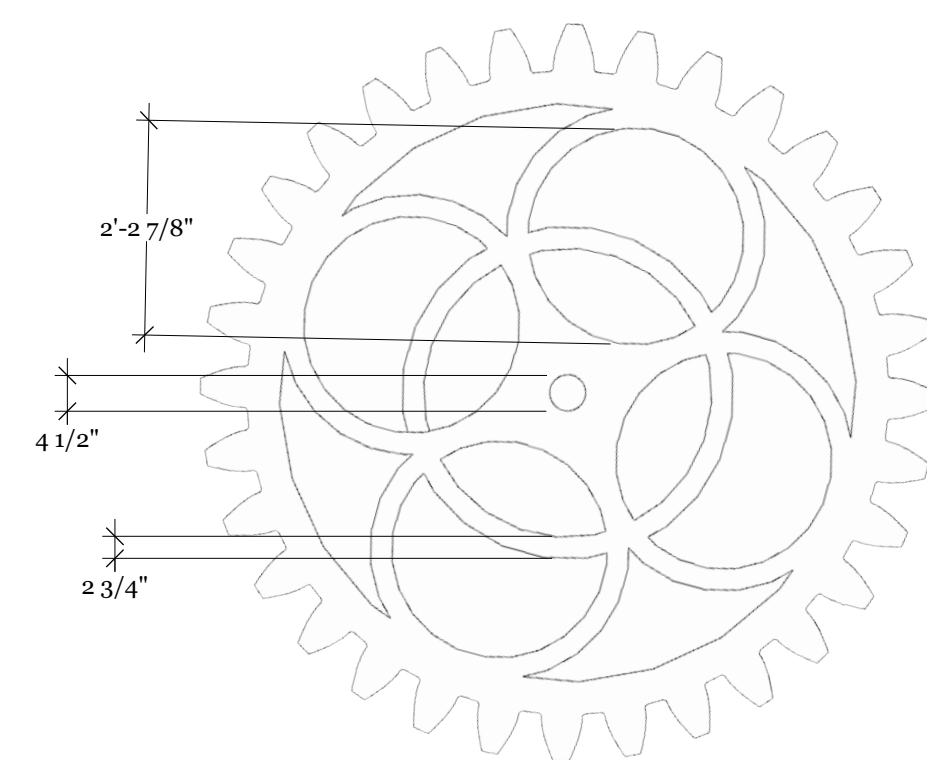


PLATFORM I SCALE 1/2" = 1' - 0"

Top View

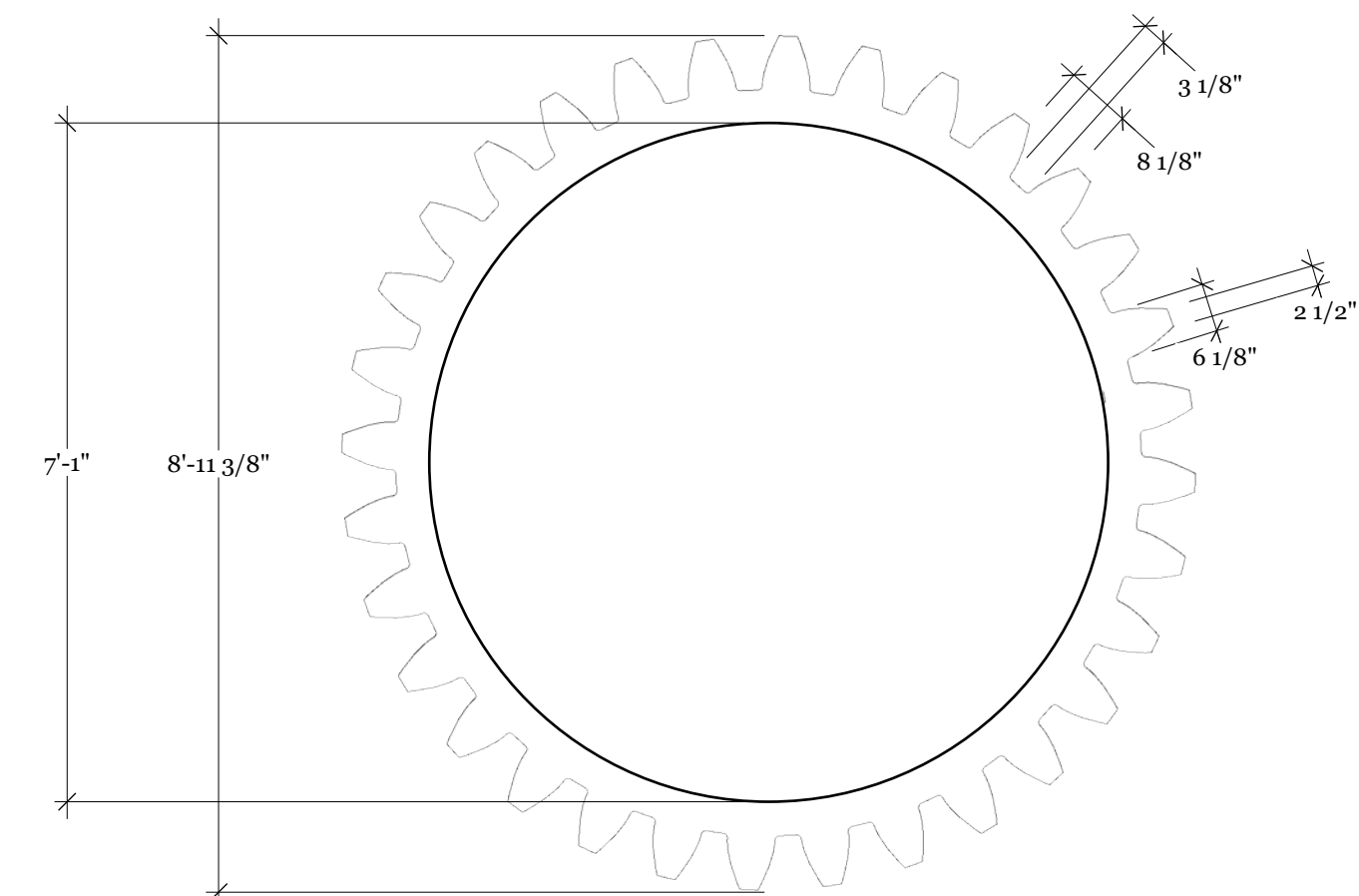


Bottom View

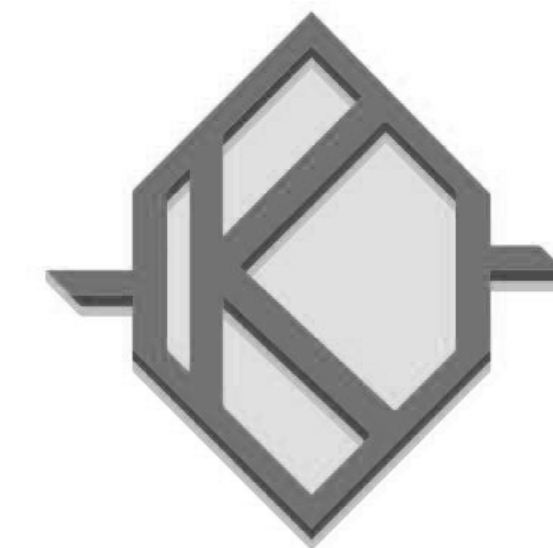
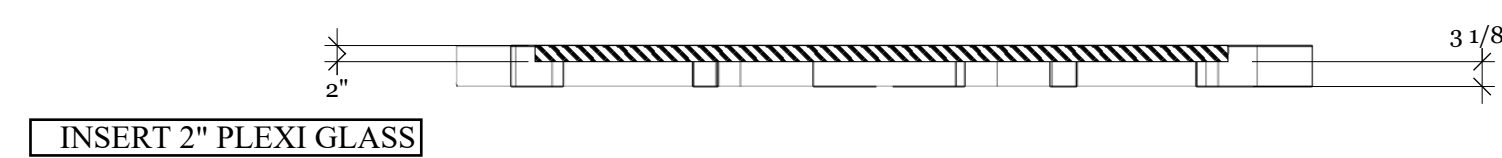
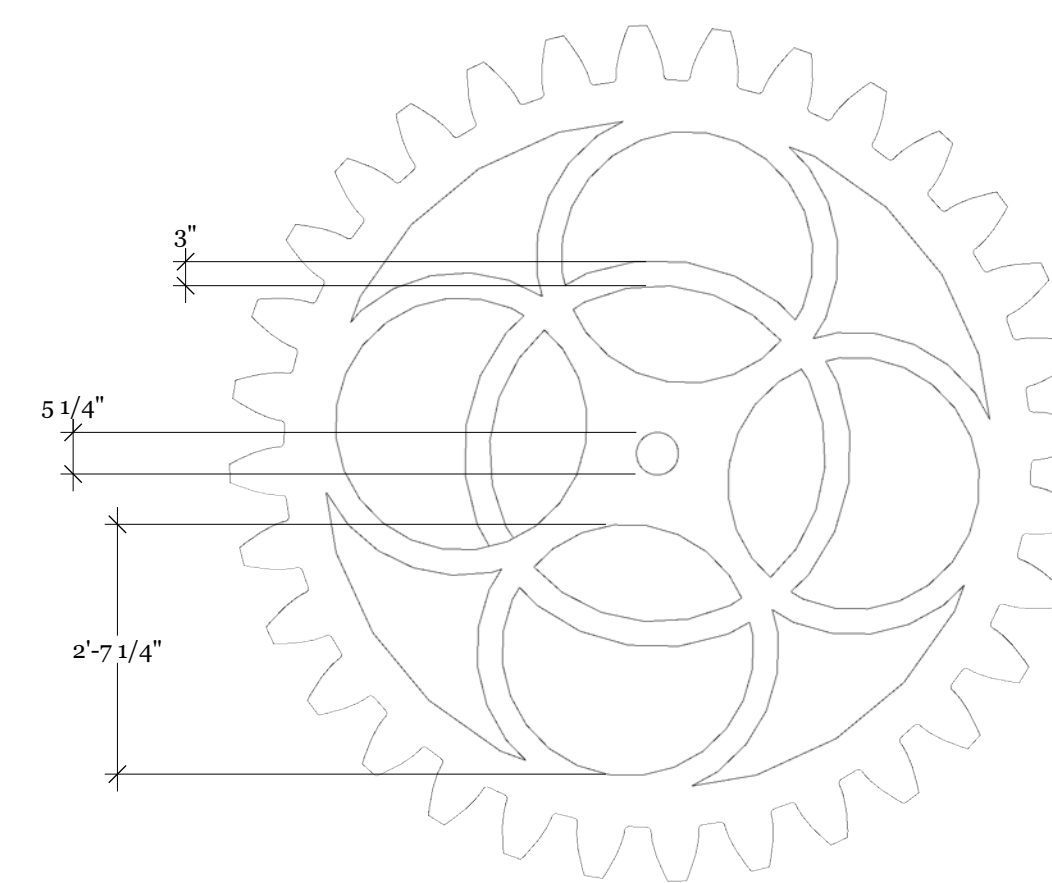


PLATFORM K SCALE 1/2" = 1' - 0"

Top View



Bottom View



CLIENT
Savannah College of Art
And Design

217 Martin Luther King Jr.
Blvd.

PROJECT
A Christmas Carol

DIRECTOR
Tyler Tunney

DESIGNER
Kobi Cummings

DRAWN BY
Kobi Cummings

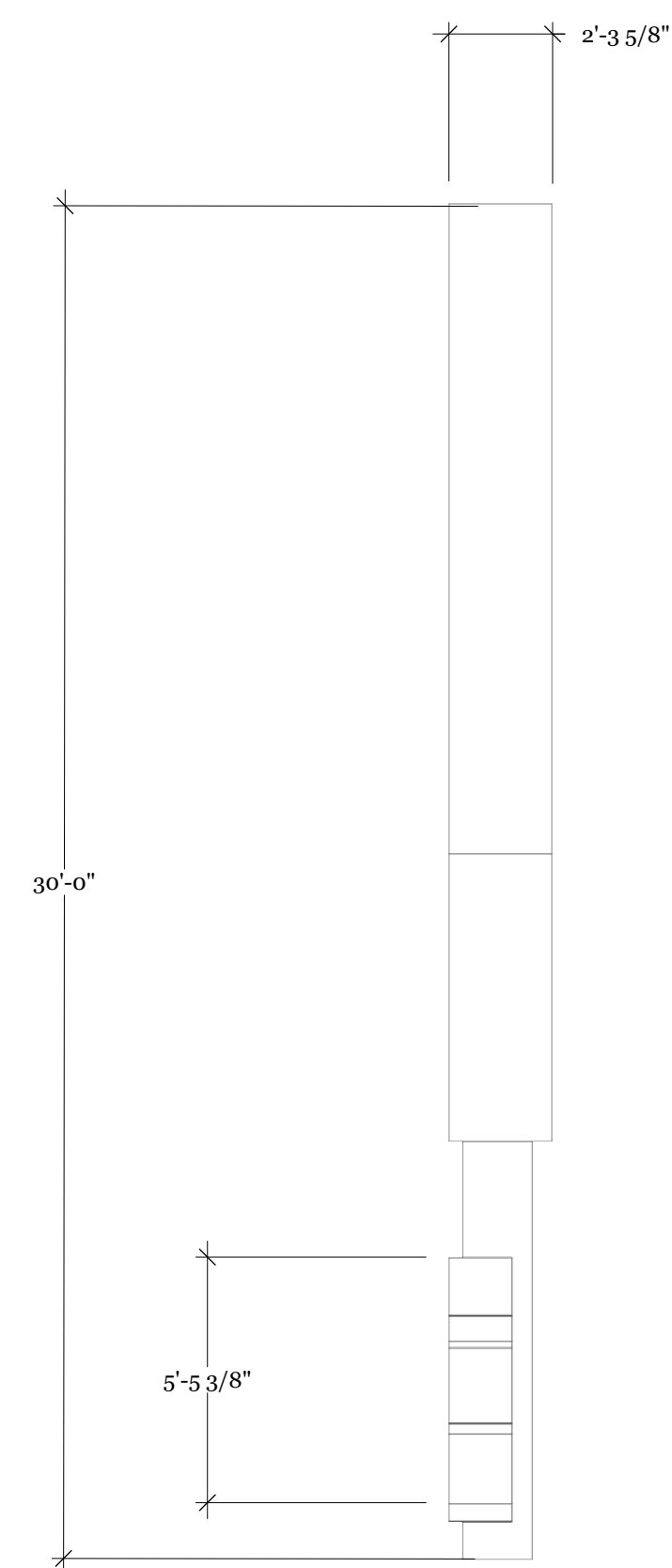
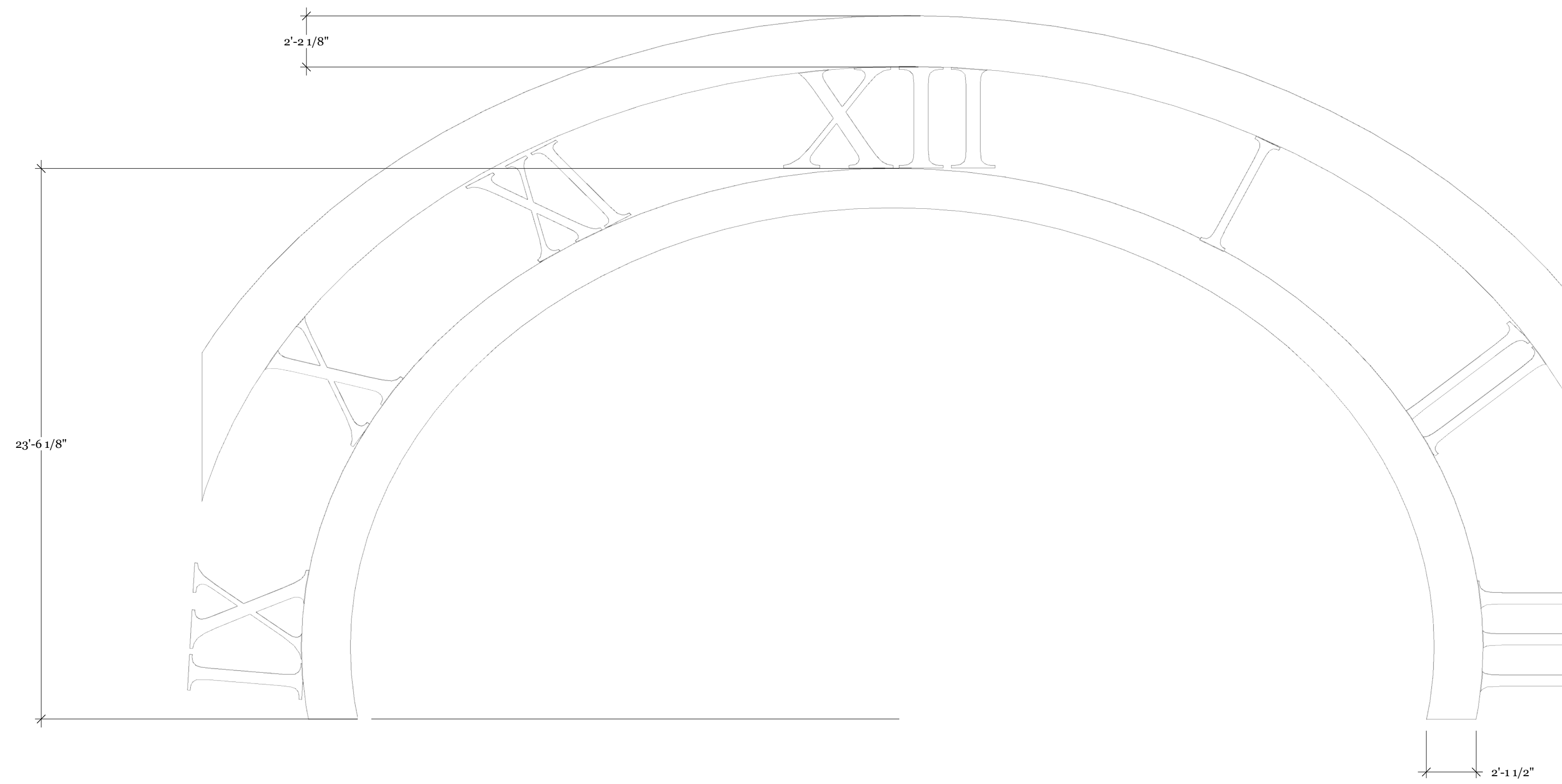
ISSUE
3/14/2018

SCALE
1/2" = 1' - 0"
Unless Noted

Ao.08

PORTAL A

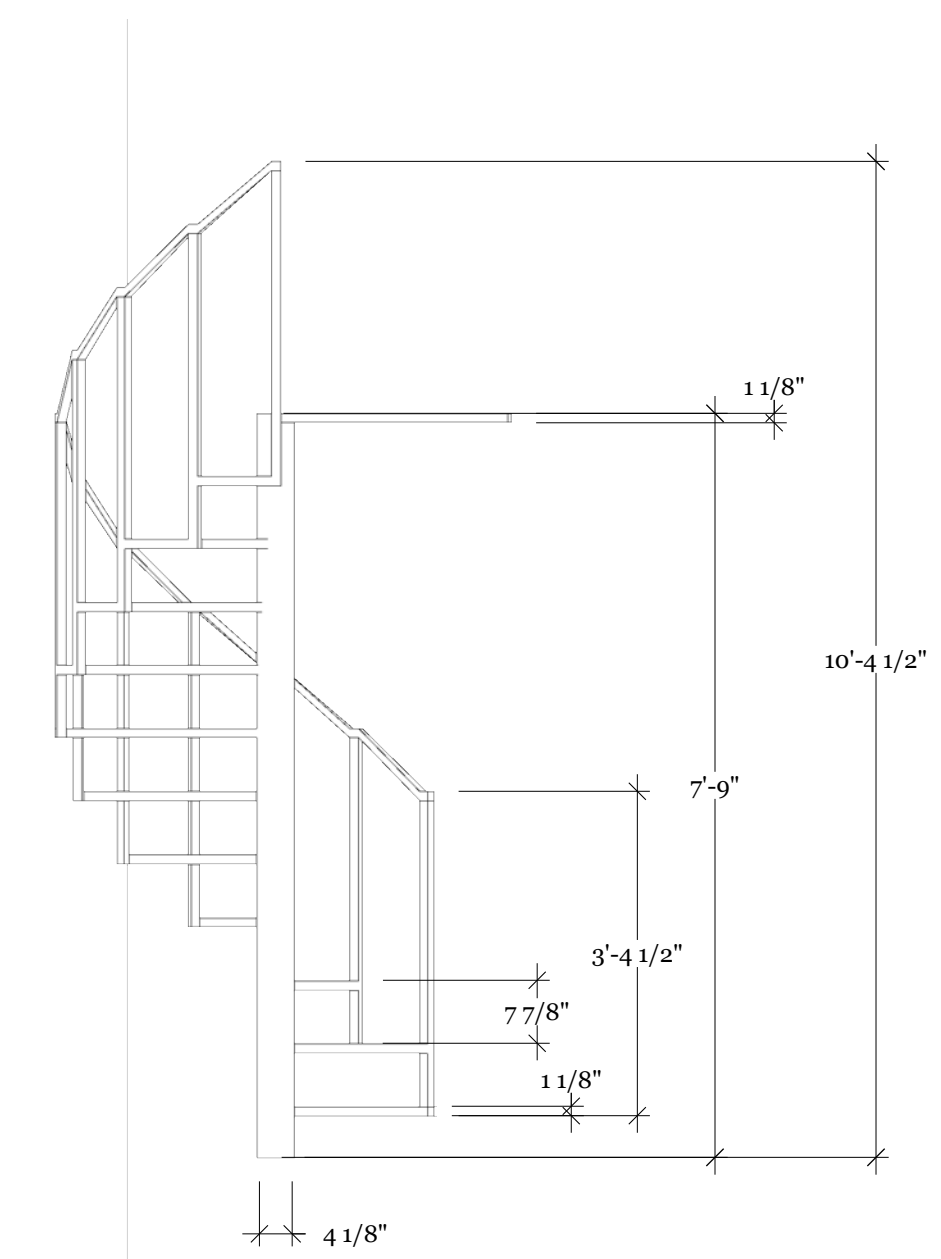
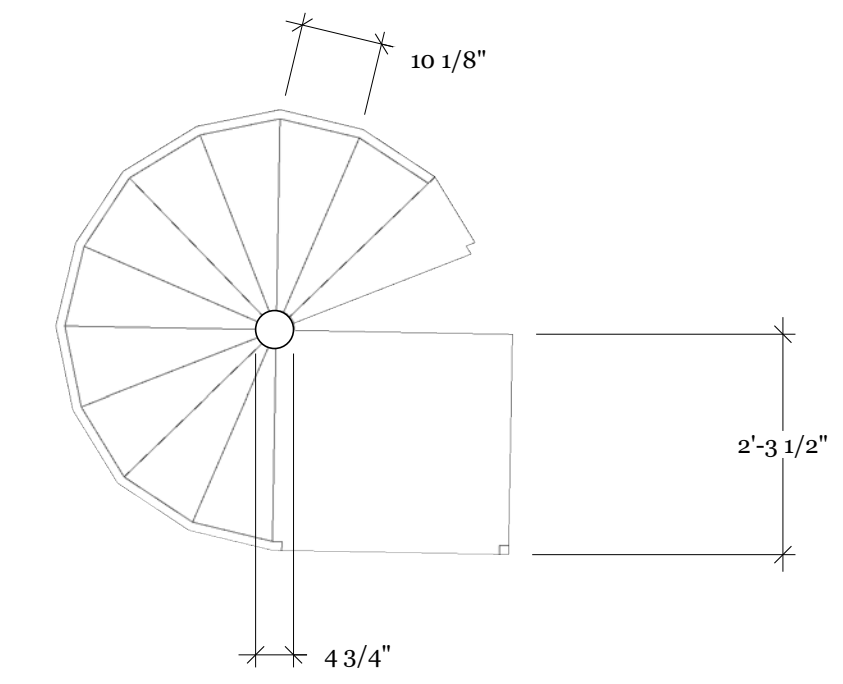
SCALE 1/4" = 1' - 0"



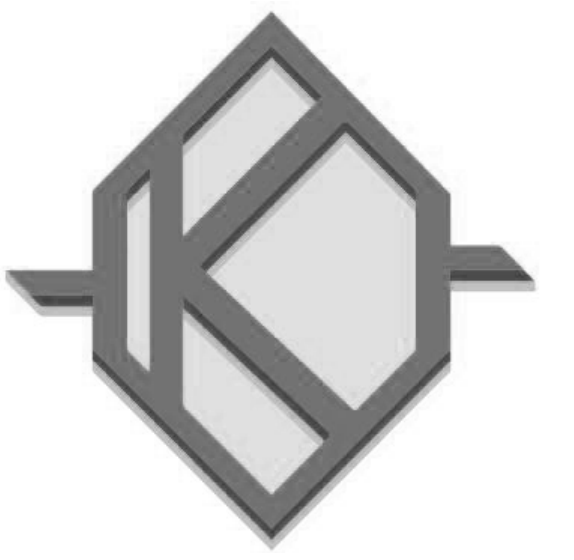
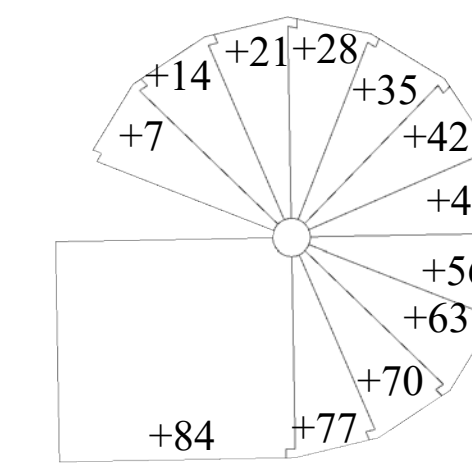
STAIR A

SCALE 1/2" = 1' - 0"

Top View



Bottom View



CLIENT
Savannah College of Art
And Design

217 Martin Luther King Jr.
Blvd.

PROJECT
A Christmas Carol

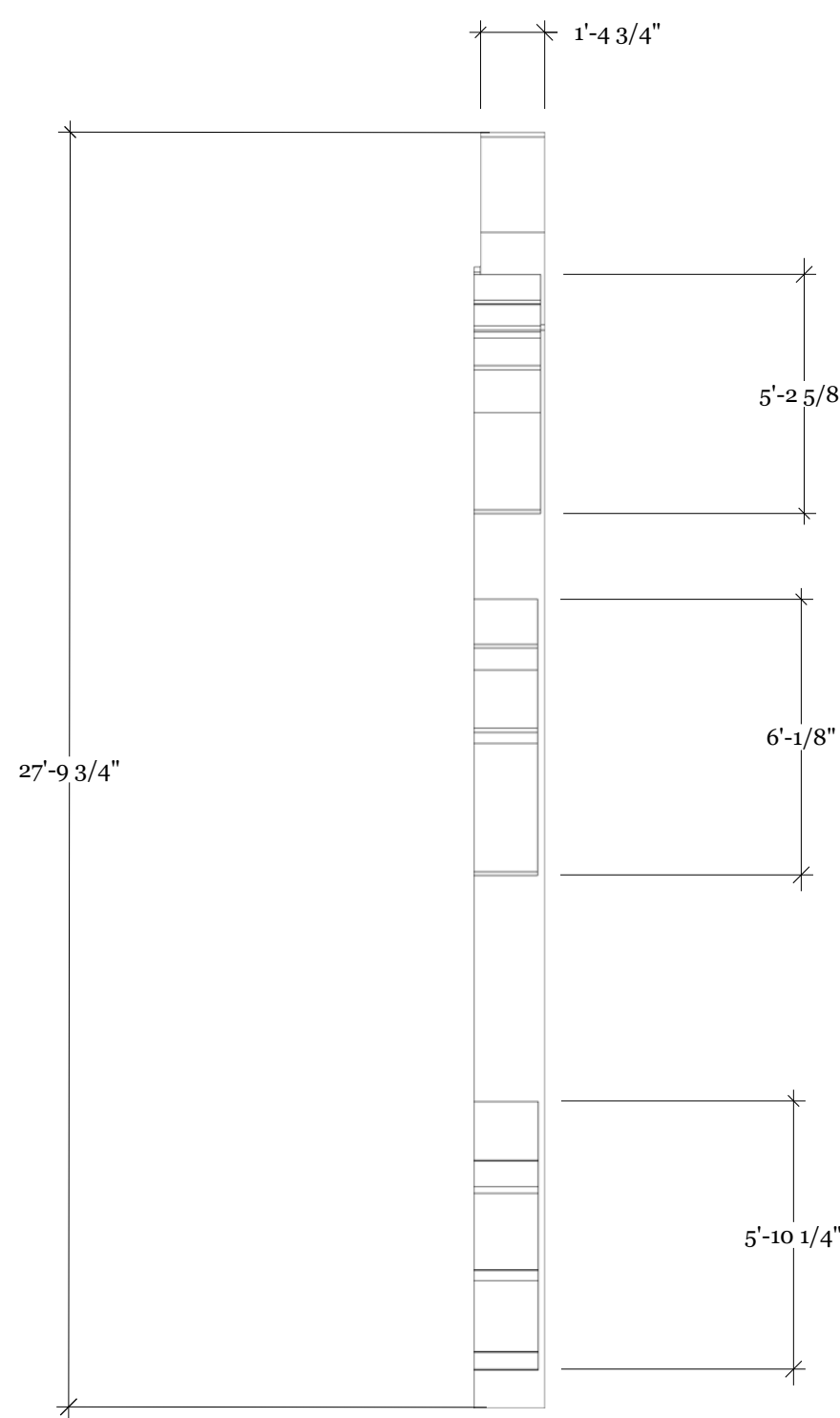
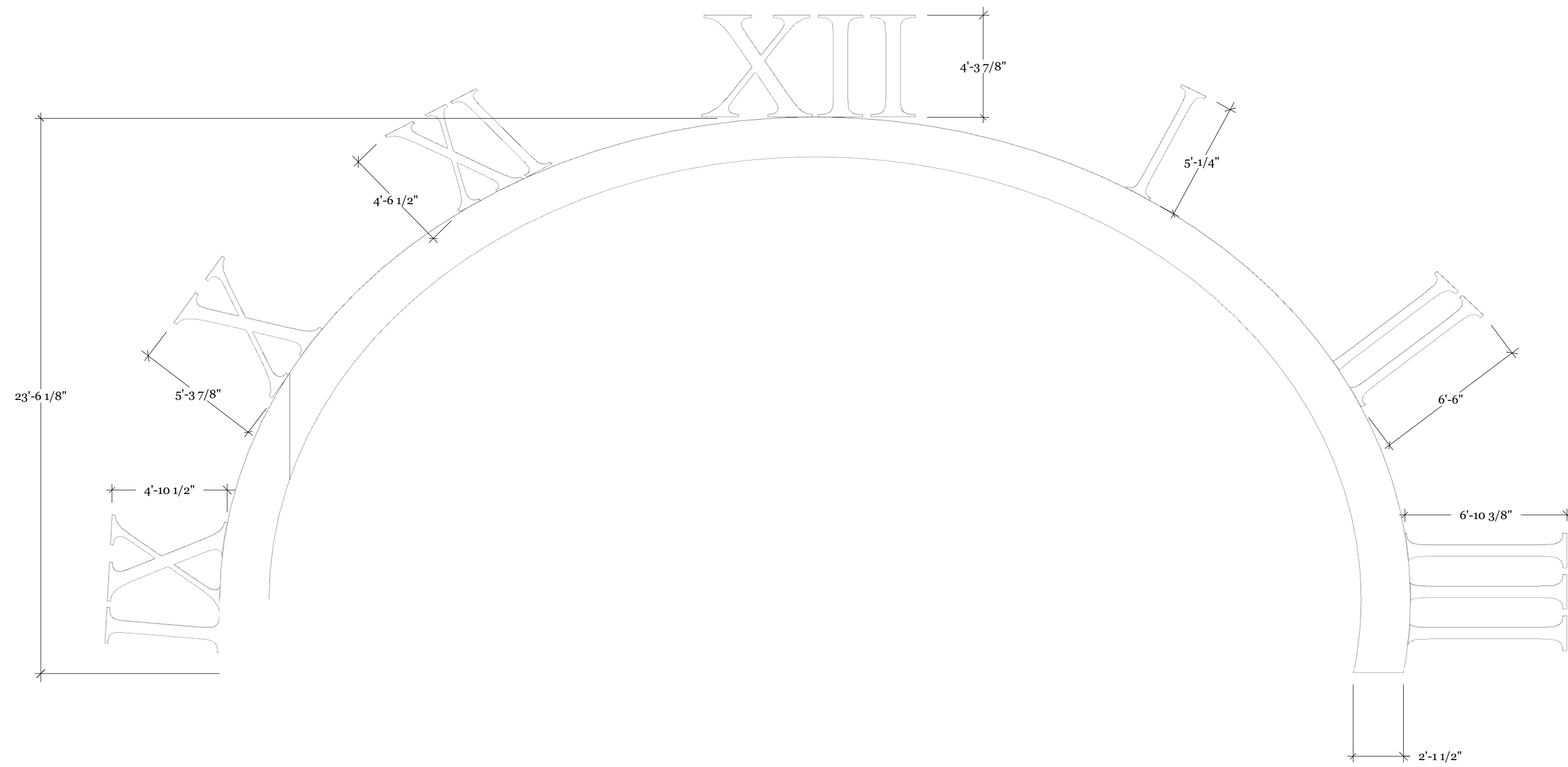
DIRECTOR
Tyler Tunney

DESIGNER
Kobi Cummings

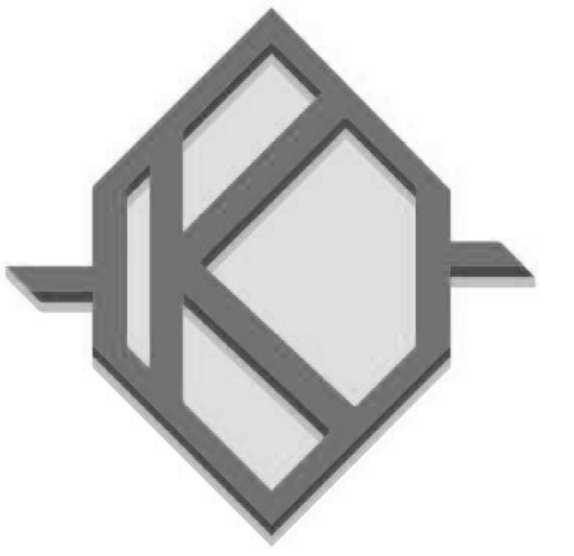
DRAWN BY
Kobi Cummings

ISSUE
3/14/2018

SCALE
1/2" = 1' - 0"
Unless Noted



BUILD TWO FOR PORTAL C



CLIENT
Savannah College of Art
And Design

217 Martin Luther King Jr.
Blvd.

PROJECT
A Christmas Carol

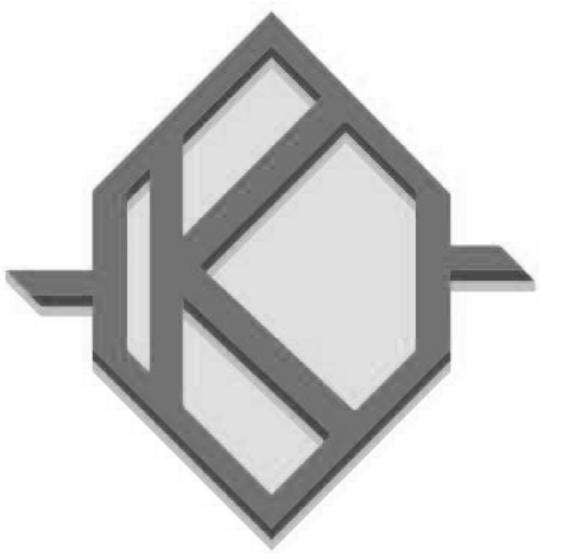
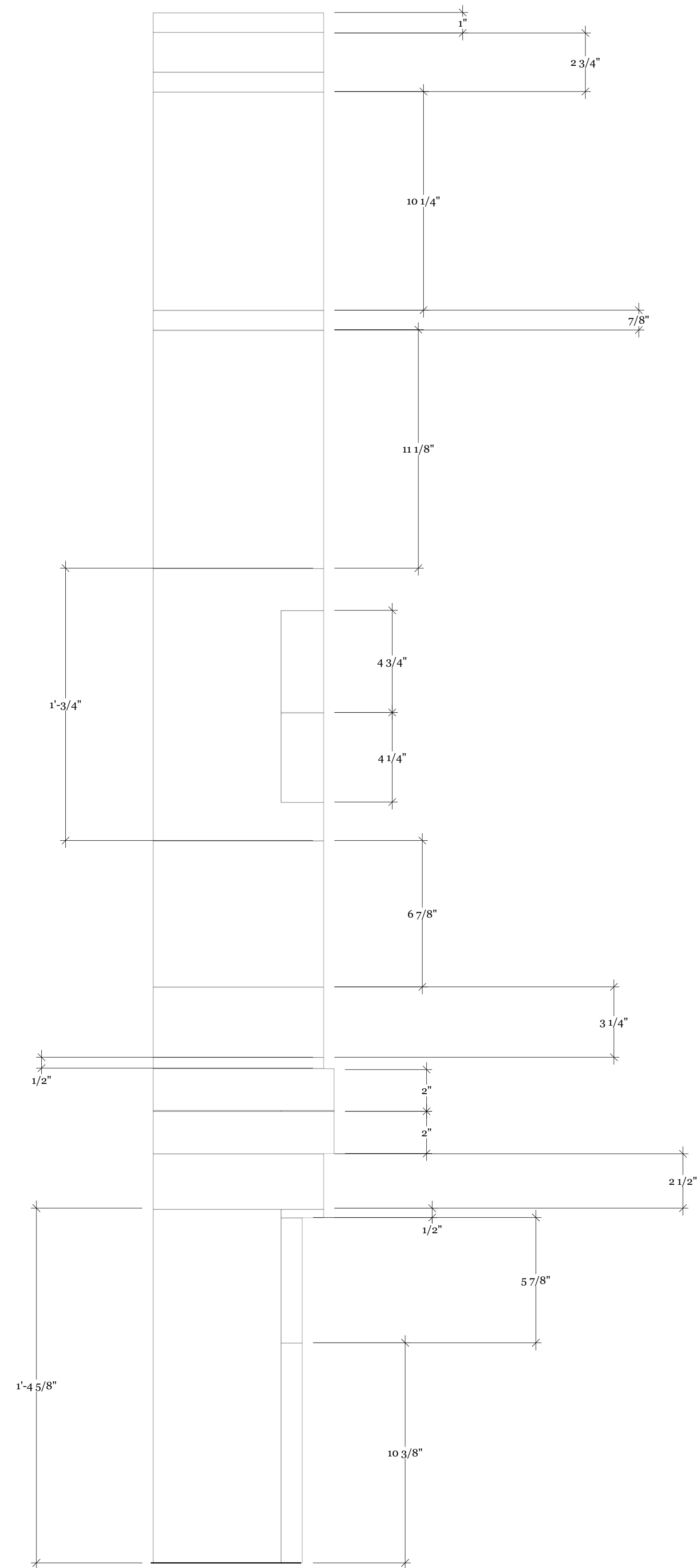
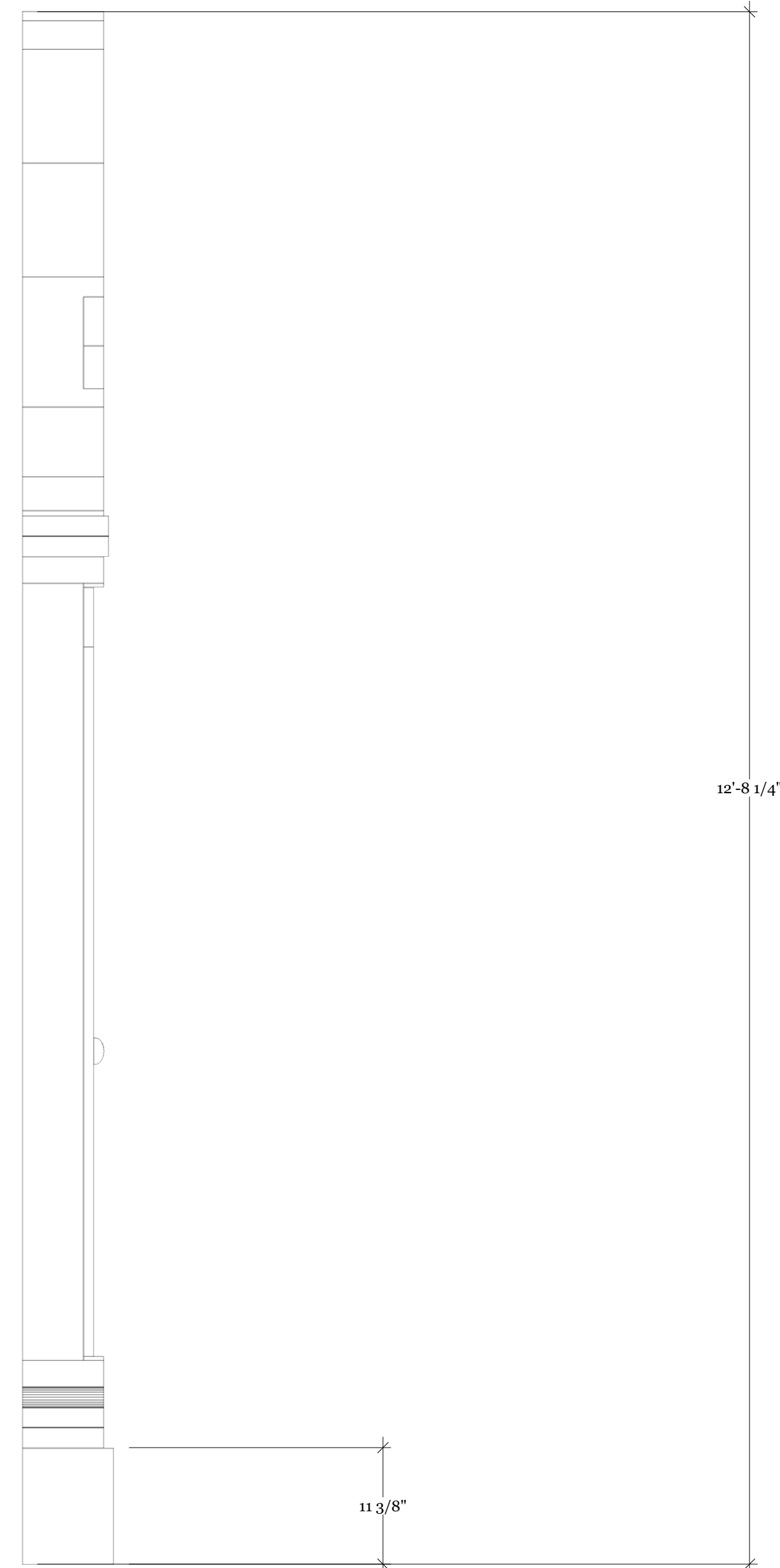
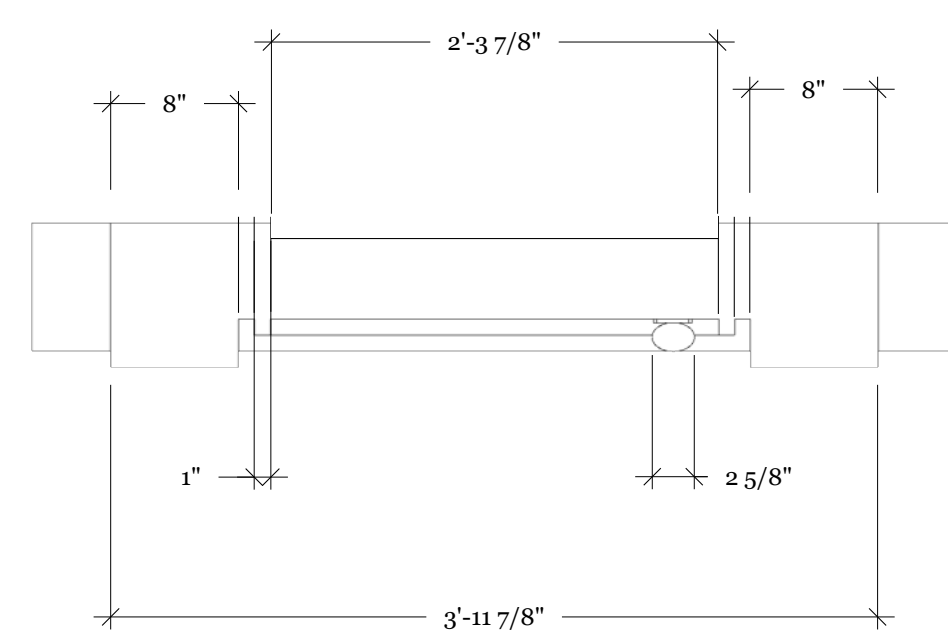
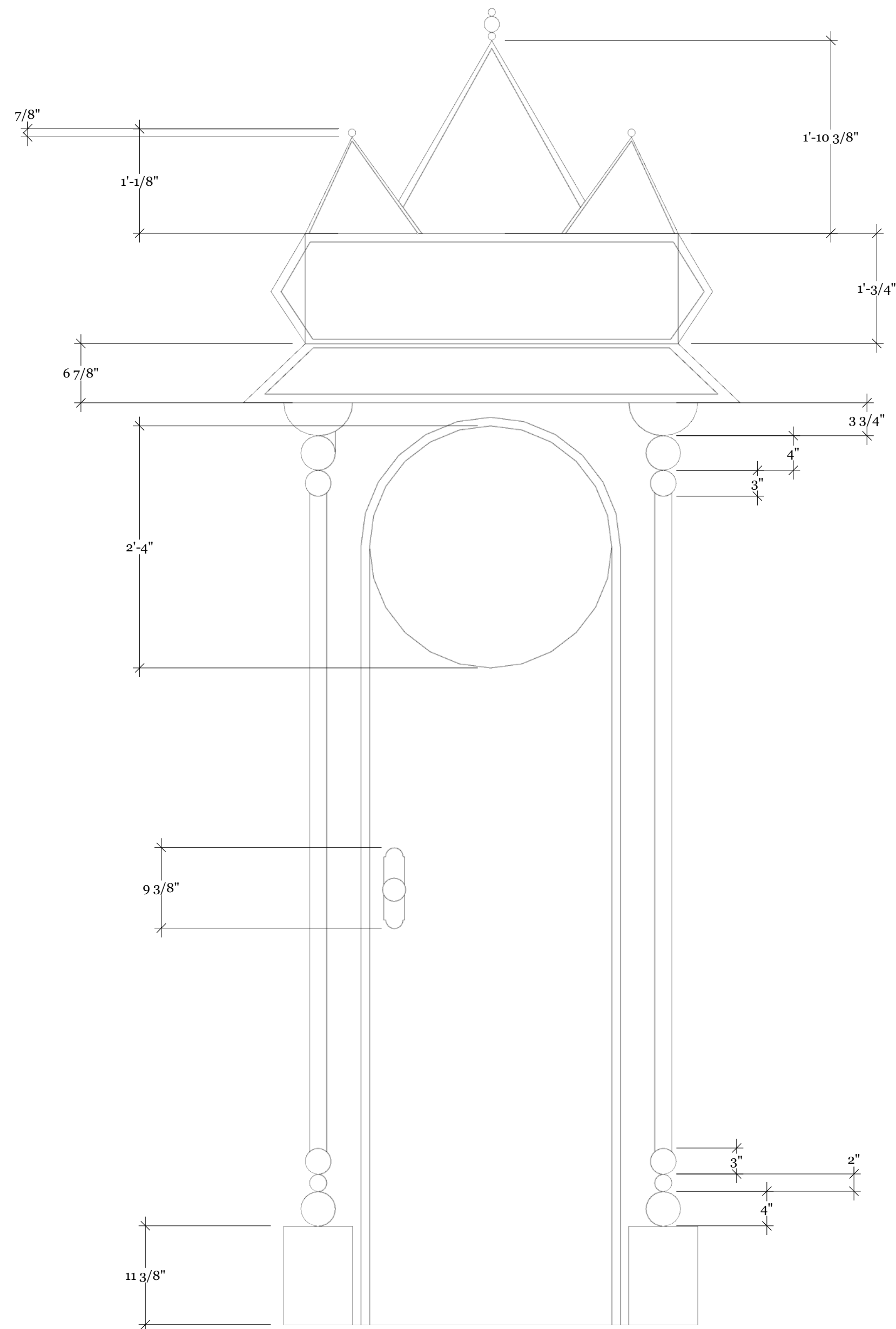
DIRECTOR
Tyler Tunney

DESIGNER
Kobi Cummings

DRAWN BY
Kobi Cummings

ISSUE
3/14/2018

SCALE
1/2" = 1' - 0"
Unless Noted



CLIENT
Savannah College of Art
And Design

217 Martin Luther King Jr.
Blvd.

PROJECT
A Christmas Carol

DIRECTOR
Tyler Tunney

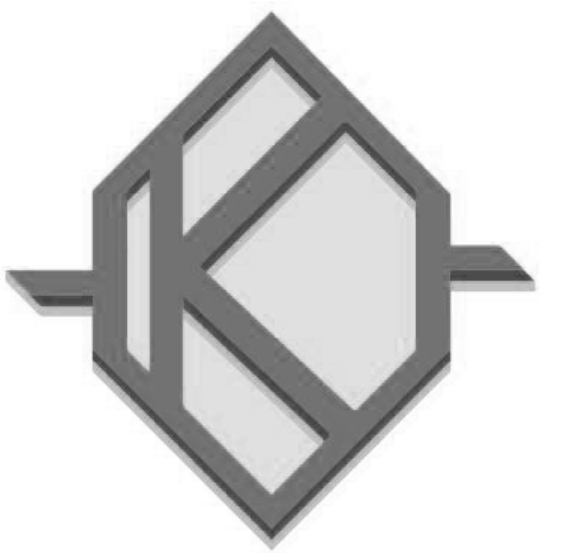
DESIGNER
Kobi Cummings

DRAWN BY
Kobi Cummings

ISSUE
3/14/2018

SCALE
1/2" = 1' - 0"
Unless Noted

A Christmas Carol



CLIENT
Savannah College of Art
And Design
217 Martin Luther King Jr.
Blvd.

PROJECT
A Christmas Carol

DIRECTOR
Tyler Tunney

DESIGNER
Kobi Cummings

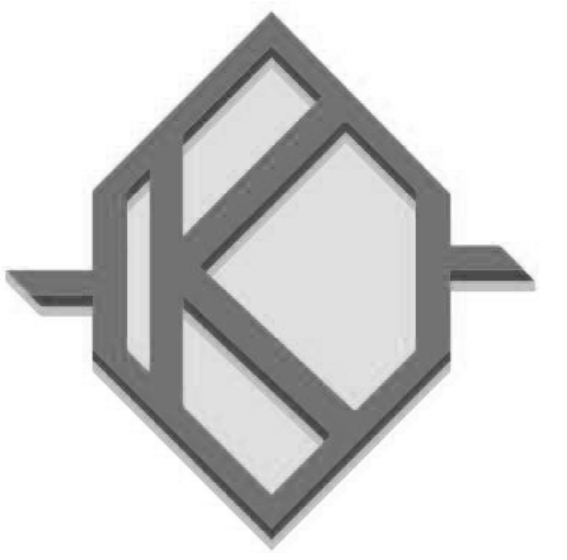
DRAWN BY
Kobi Cummings

ISSUE
3/14/2018

SCALE
1/2" = 1' - 0"
Unless Noted

"...and decrease the surplus population!"

A0.12



A Christmas Carol

CLIENT
Savannah College of Art
And Design

217 Martin Luther King Jr.
Blvd.

PROJECT
A Christmas Carol

DIRECTOR
Tyler Tunney

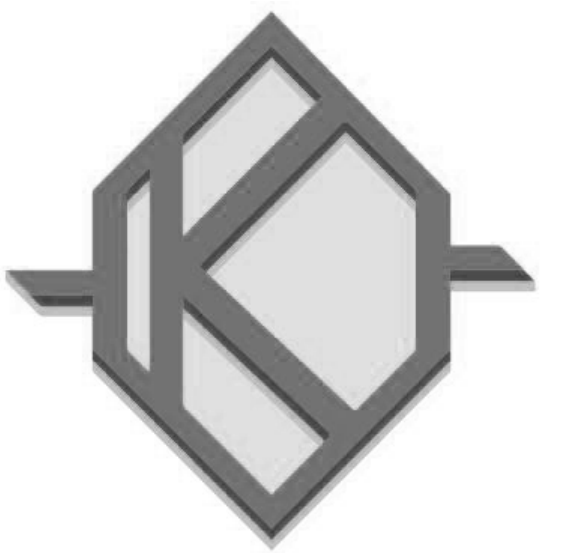
DESIGNER
Kobi Cummings

DRAWN BY
Kobi Cummings

ISSUE
3/14/2018

SCALE
1/2" = 1' - 0"
Unless Noted

“Stop her, you fool, you’ll never see her again! She still loves you!”



“I wear the chain I bore in life. I made it link by link, and yard by yard...”



CLIENT
Savannah College of Art
And Design

217 Martin Luther King Jr.
Blvd.

PROJECT
A Christmas Carol

DIRECTOR
Tyler Tunney

DESIGNER
Kobi Cummings

DRAWN BY
Kobi Cummings

ISSUE
3/14/2018

SCALE
1/2" = 1' - 0"
Unless Noted

A Christmas Carol

A0.14